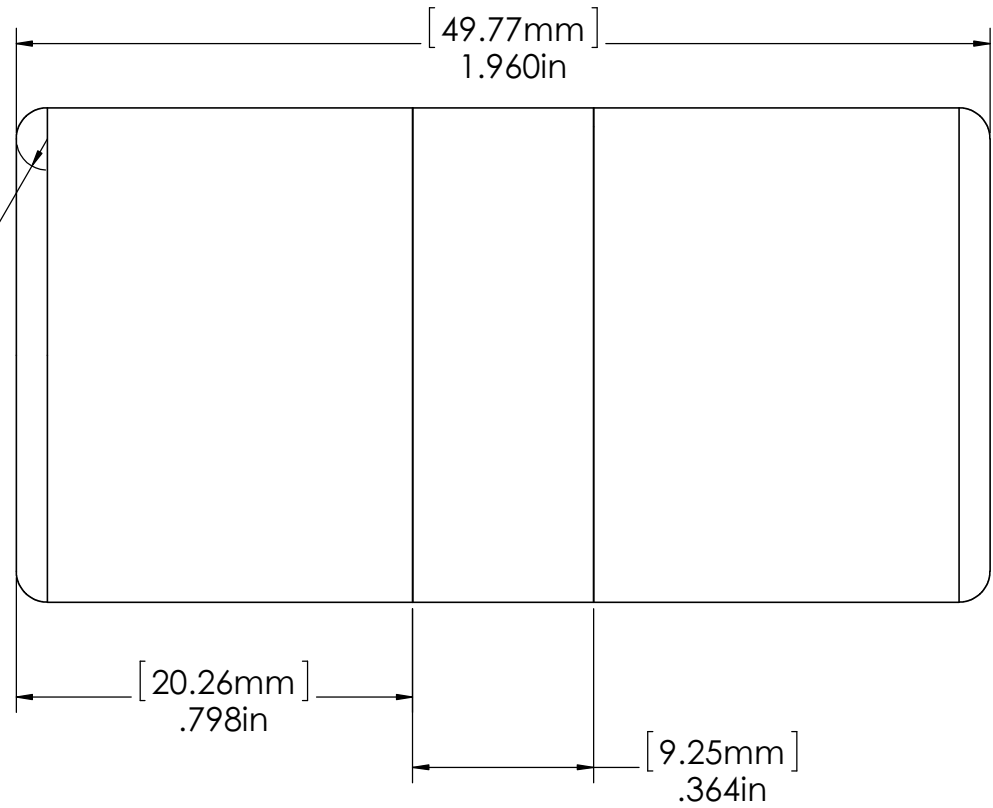
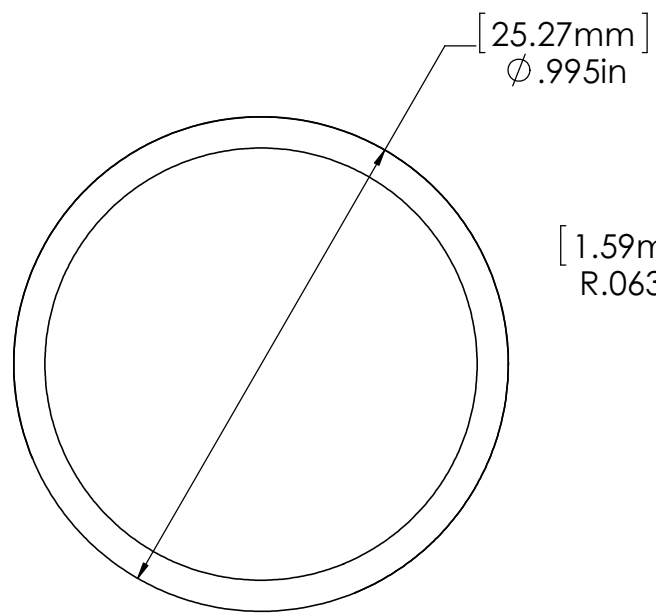



REV.	DESCRIPTION	DATE	APPROVED
1	RELEASE FOR PRODUCTION	11/27/2014	KRW



V:\X100\Mechanical models\1N\ 81-05-0107-00, ASSEMBLY, X100-1N

PROPRIETARY AND CONFIDENTIAL THE INFORMATION CONTAINED IN THIS DRAWING IS THE SOLE PROPERTY OF CDI. ANY REPRODUCTION IN PART OR AS A WHOLE WITHOUT THE WRITTEN PERMISSION OF CDI IS PROHIBITED.		UNLESS OTHERWISE SPECIFIED: DIMENSIONS ARE IN INCHES TOLERANCES: FRACTIONAL $\pm 1/32$ ANGULAR: $\pm 2^\circ$ TWO PLACE DECIMAL $\pm .03$ THREE PLACE DECIMAL $\pm .010$		NAME	DATE	 ASSEMBLY, X100-1N
		INTERPRET GEOMETRIC TOLERANCING PER: ASME Y14.5M - 1994 MATERIAL: 304L SS FINISH: 125RMS	DRAWN: KRW CHECKED: ENG APPR.: MFG APPR.: Q.A.: COMMENTS:	11/27/2014	TITLE: ASSEMBLY, X100-1N	
NEXT ASSY	USED ON	APPLICATION	DO NOT SCALE DRAWING	ECN #:	SCALE: 2:1	SIZE: B DWG. NO.: 81-05-0107-00 WEIGHT:
						REV: 1 SHEET 1 OF 1

8 7 6 5 4 3 2 1

D
C
B
A

8 7 6 5 4 3 2 1