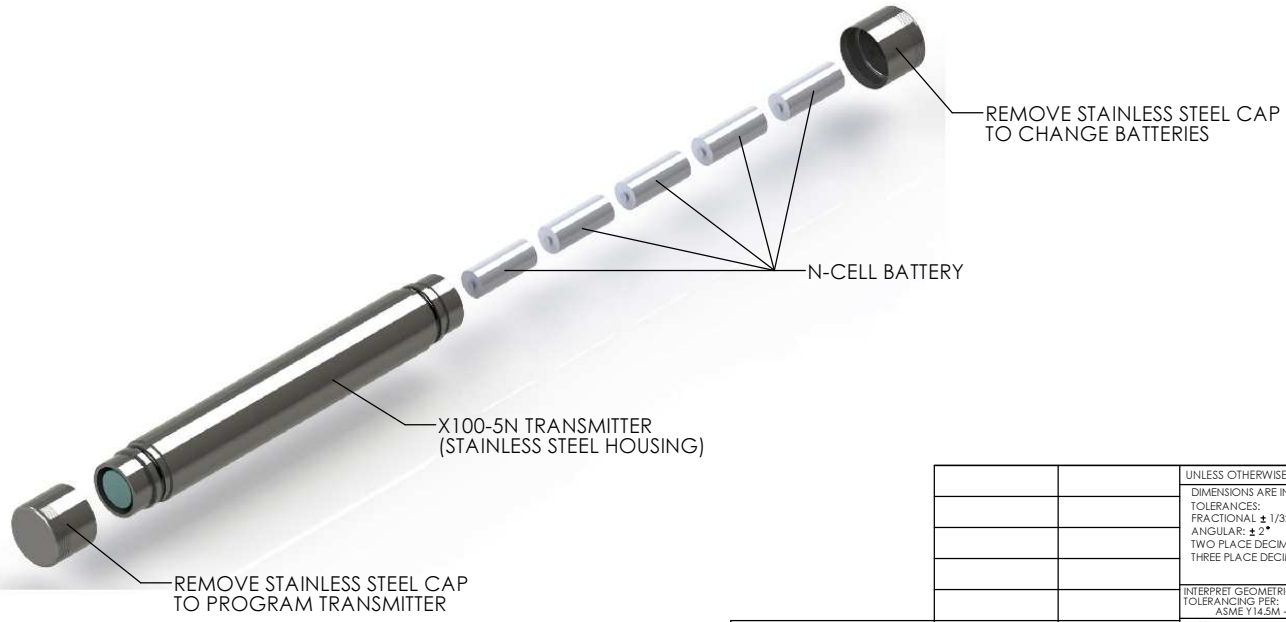
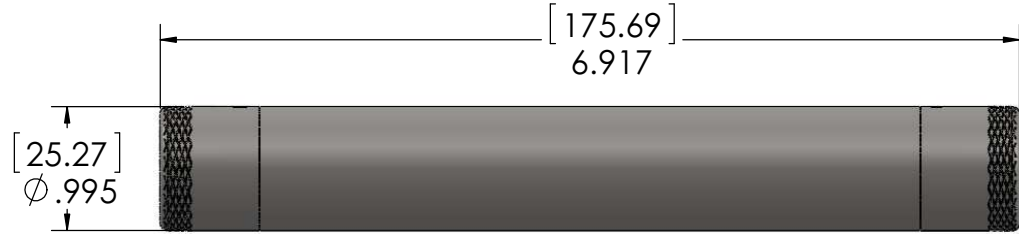



REV.	DESCRIPTION	DATE	APPROVED
A	RELEASE TO PRODUCTION	6/1/2015	KRW



- NOTES:
- DIMENSIONS ARE IN INCHES AND [MILLIMETERS]
  - MAXIMUM OPERATING PRESSURE: 2500PSI

**PROPRIETARY AND CONFIDENTIAL**  
 THE INFORMATION CONTAINED IN THIS DRAWING IS THE SOLE PROPERTY OF CDI. ANY REPRODUCTION IN PART OR AS A WHOLE WITHOUT THE WRITTEN PERMISSION OF CDI IS PROHIBITED.

		UNLESS OTHERWISE SPECIFIED:		NAME	DATE		
		DIMENSIONS ARE IN INCHES		DRAWN	KRW		6/1/2015
		TOLERANCES:		CHECKED			
		FRACTIONAL ± 1/32		ENG APPR.			
		ANGULAR: ± 2°		MFG APPR.			
		TWO PLACE DECIMAL ± .03		Q.A.			
		THREE PLACE DECIMAL ± .010		COMMENTS:			
		INTERPRET GEOMETRIC TOLERANCING PER: ASME Y14.5M - 1994					
		MATERIAL					
		304L					
		FINISH					
		125RMS					
NEXT ASSY	USED ON	APPLICATION		DO NOT SCALE DRAWING	ECN #:		
		TITLE:		SCALE: 1:1		WEIGHT:	
		GENERAL ARRANGEMENT, X100-5N STANDARD					
SIZE	DWG. NO.	REV	SHEET 1 OF 1				
B	81-03-0102-00	A					

V:\X100\Mechanical models\5N\ 81-03-0102-00 ASSY, X100-5N STANDARD