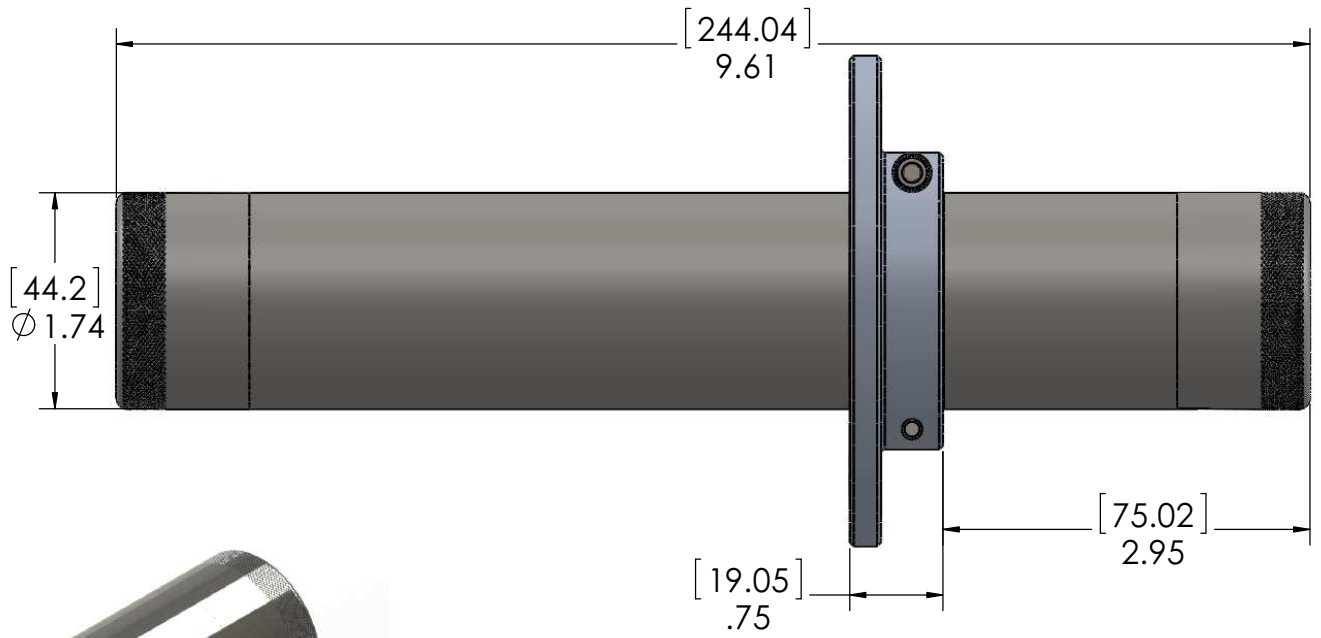
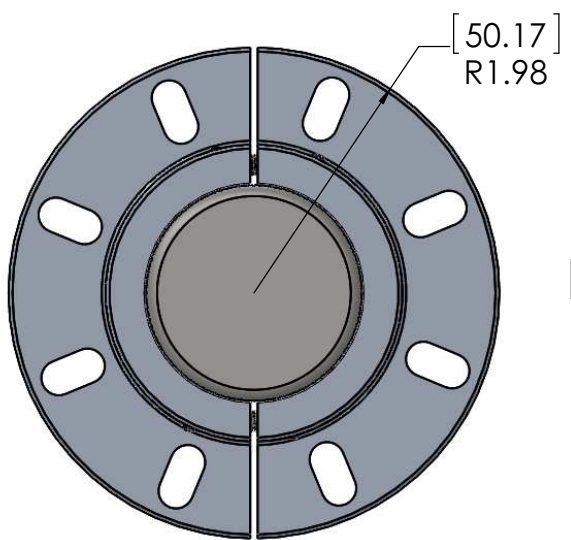



REV.	DESCRIPTION	DATE	APPROVED
1	RELEASE TO PRODUCTION	4/27/2015	KRW



UNLESS OTHERWISE SPECIFIED: DIMENSIONS ARE IN INCHES TOLERANCES: FRACTIONAL ± 1/32 ANGULAR: ± 2° TWO PLACE DECIMAL ± .03 THREE PLACE DECIMAL ± .010		NAME	DATE	 TITLE: <b>GENERAL ASSEMBLY, X300-4C</b>		
NEXT ASSY	USED ON	DRAWN	KRW 4/27/2015			
APPLICATION		CHECKED				
DO NOT SCALE DRAWING		ENG APPR.				
ECN #:		MFG APPR.				
MATERIAL		Q.A.		SIZE	DWG. NO.	REV
FINISH		COMMENTS:		<b>B</b>	<b>81-03-0079-00</b>	<b>1</b>
SCALE: 1:2		WEIGHT:		SHEET 1 OF 1		

**PROPRIETARY AND CONFIDENTIAL**  
THE INFORMATION CONTAINED IN THIS DRAWING IS THE SOLE PROPERTY OF CDI. ANY REPRODUCTION IN PART OR AS A WHOLE WITHOUT THE WRITTEN PERMISSION OF CDI IS PROHIBITED.

V:\X300\Mechanical Models\X300-4C\ 81-03-0086-00 GENERAL ASSEMBLY, X300-4C WITH FLANGE