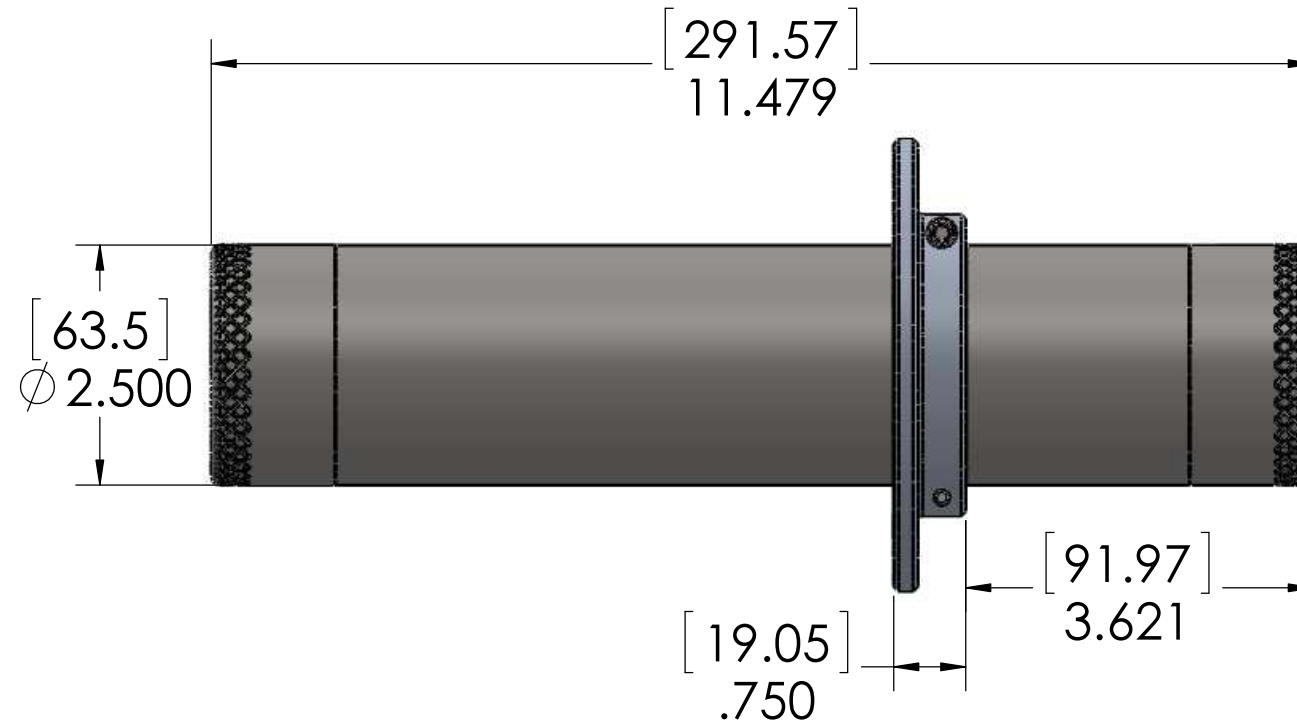
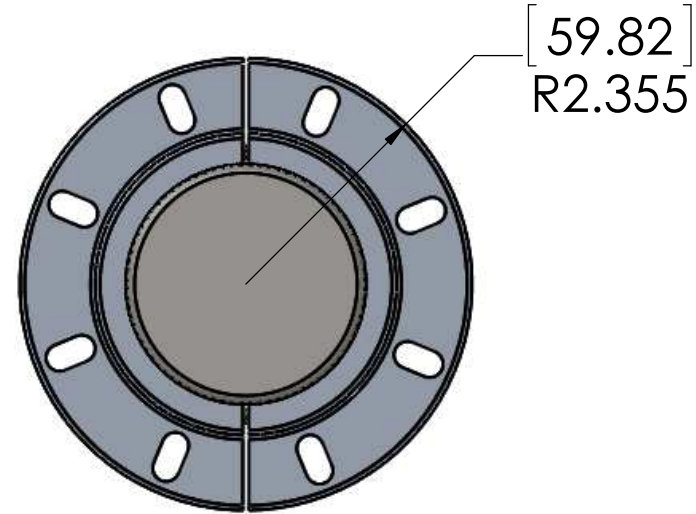



REV.	DESCRIPTION	DATE	APPROVED
1	RELEASE TO PRODUCTION	4/23/15	KRW



PROPRIETARY AND CONFIDENTIAL
 THE INFORMATION CONTAINED IN THIS DRAWING IS THE SOLE PROPERTY OF CDI. ANY REPRODUCTION IN PART OR AS A WHOLE WITHOUT THE WRITTEN PERMISSION OF CDI IS PROHIBITED.

		UNLESS OTHERWISE SPECIFIED: DIMENSIONS ARE IN INCHES TOLERANCES: FRACTIONAL ± 1/32 ANGULAR: ± 2° TWO PLACE DECIMAL ± .03 THREE PLACE DECIMAL ± .010	NAME	DATE	
			DRAWN		
			CHECKED		
			ENG APPR.		
		INTERPRET GEOMETRIC TOLERANCING PER: ASME Y14.5M - 1994	Q.A.		GENERAL ASSEMBLY, X400-4D WITH FLANGE
		MATERIAL	COMMENTS:		
NEXT ASSY	USED ON	FINISH			SIZE B DWG. NO. 81-03-0075-00 REV 1
APPLICATION		DO NOT SCALE DRAWING	ECN #:	SCALE: 1:2	WEIGHT: SHEET 1 OF 1

V:\X400\Mechanical Models\4D\ 81-03-0075-00 - GENERAL ASSEMBLY, X400-4D TRANSMITTER WITH FLANGE