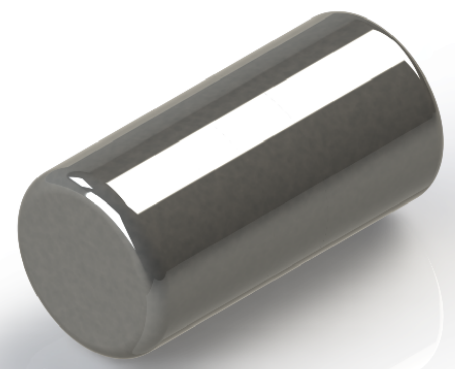
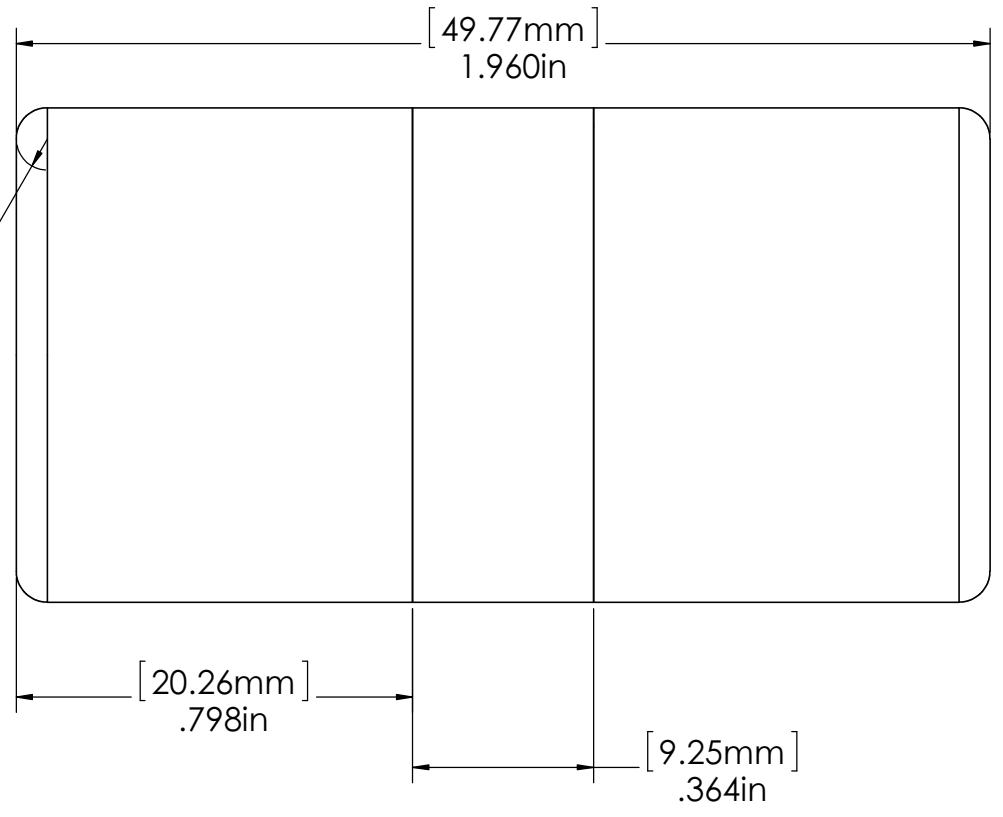
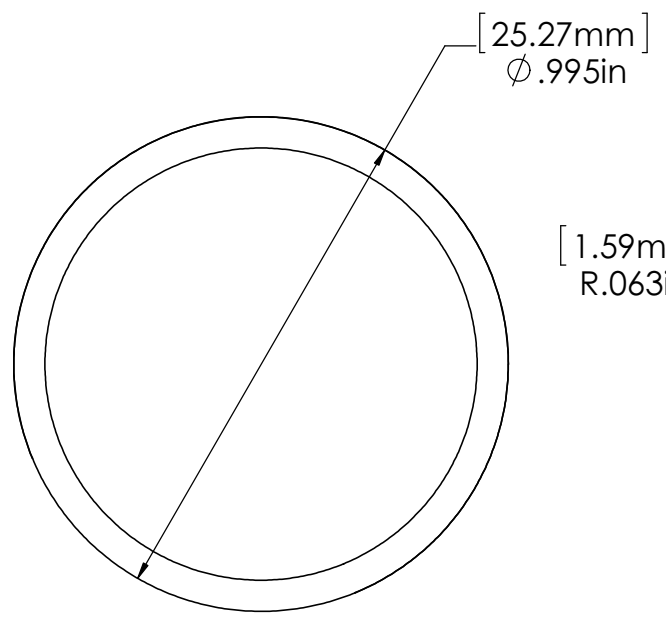


REV.	DESCRIPTION	DATE	APPROVED
A	RELEASE FOR PROTOTYPE	11/27/2014	KRW



V:\X100\Mechanical models\1N\ Assem\45B

PROPRIETARY AND CONFIDENTIAL THE INFORMATION CONTAINED IN THIS DRAWING IS THE SOLE PROPERTY OF CDI. ANY REPRODUCTION IN PART OR AS A WHOLE WITHOUT THE WRITTEN PERMISSION OF CDI IS PROHIBITED.		UNLESS OTHERWISE SPECIFIED: DIMENSIONS ARE IN INCHES TOLERANCES: FRACTIONAL ± 1/32 ANGULAR ± 2° SURFACE DECIMAL ± .03 HOLE DECIMAL ± .010		NAME	DATE	<div style="font-size: 2em; color: red; text-align: center;">CDI</div>
		DRAWN		TITLE:		
		CHECKED				X100-1N
		ENG APPR.		SIZE	DWG. NO.	
		MFG APPR.		B		A
NEXT ASSY	USED ON	FINISH		SCALE: 2:1	WEIGHT:	SHEET 1 OF 1
APPLICATION		DO NOT SCALE DRAWING	ECN #:			

PRELIMINARY