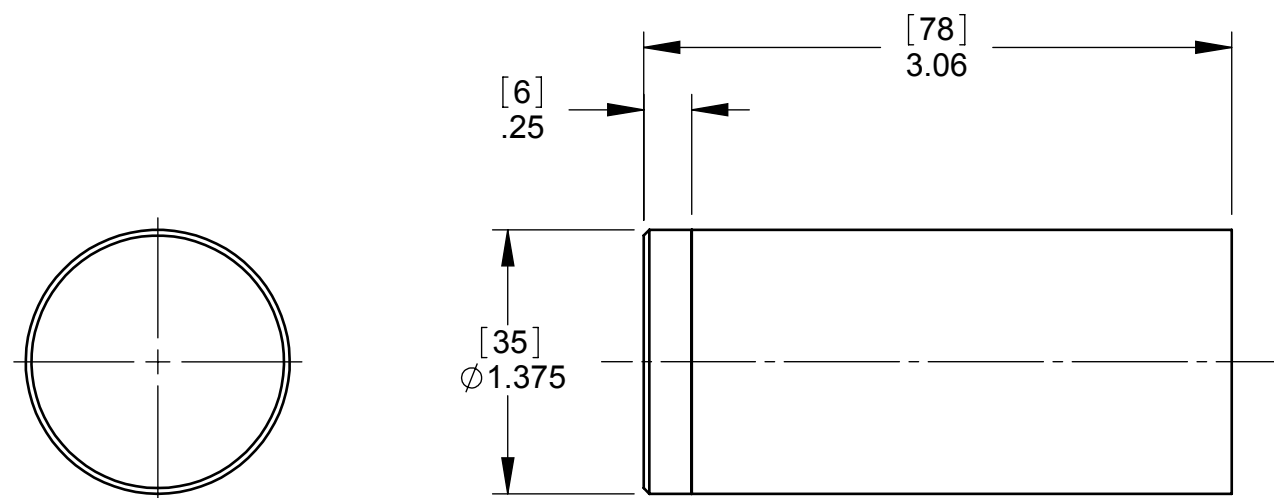
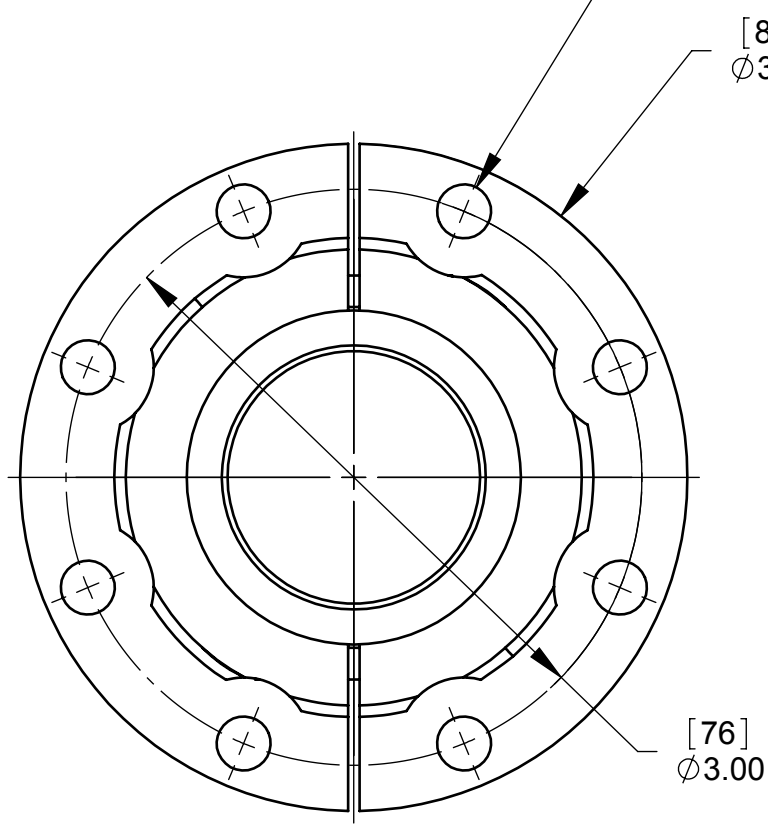


REVISIONS			
REV.	DESCRIPTION	DATE	APPROVED
A	RELEASE REVISION	4/29/2008	DS

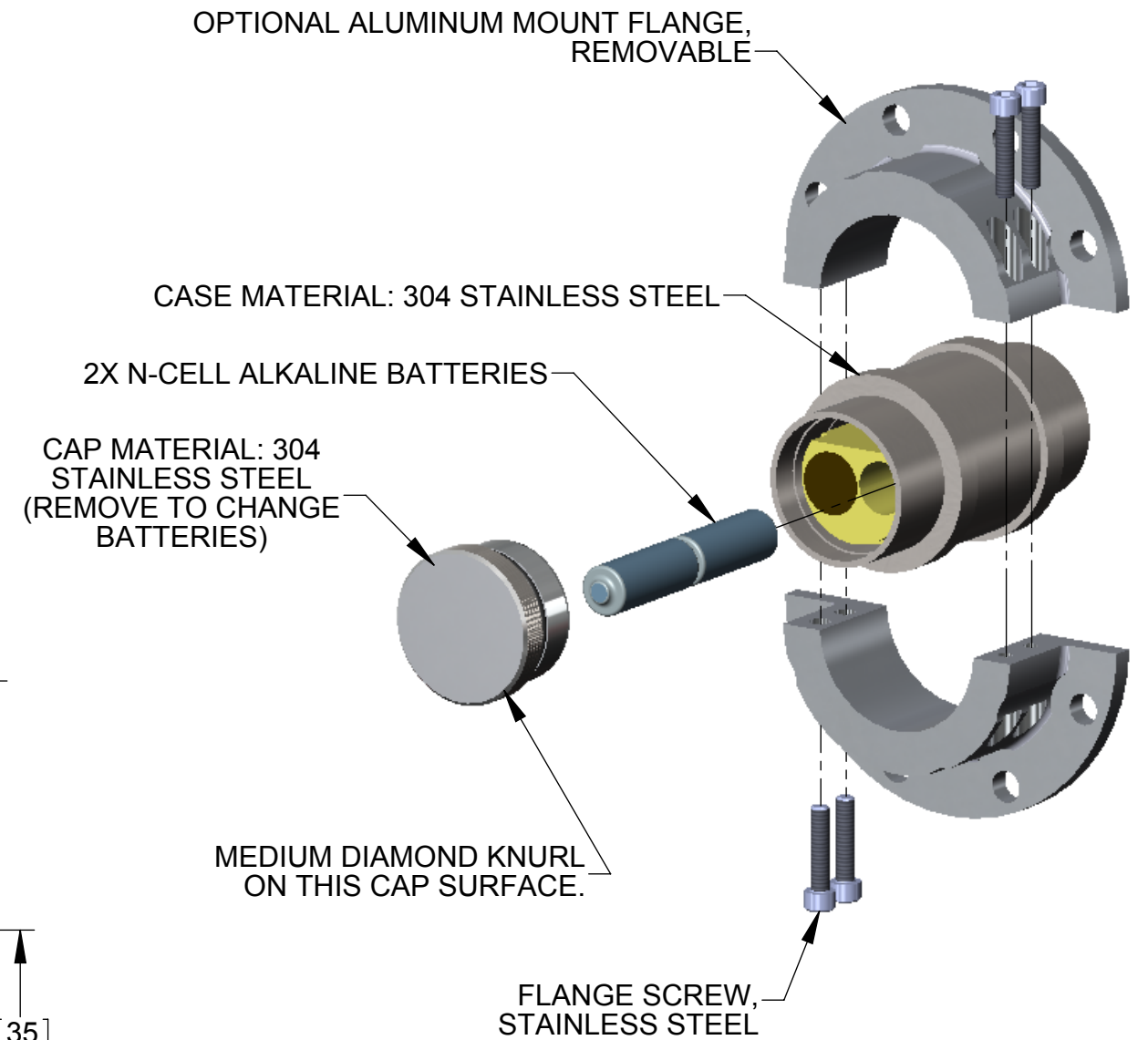
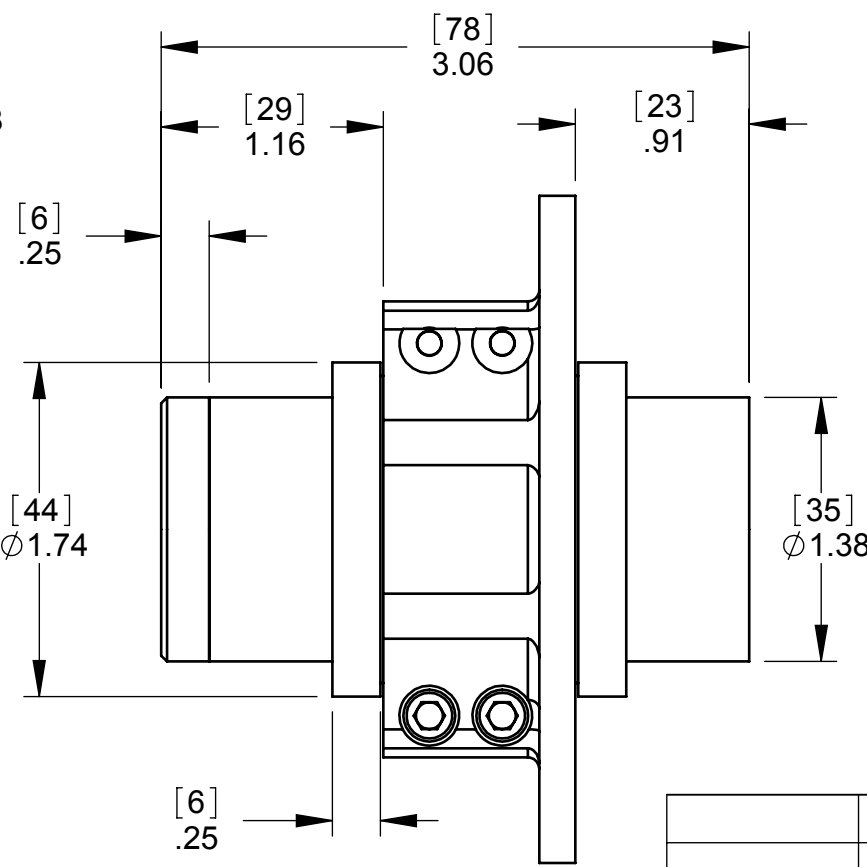


CD42-T4 STANDARD TRANSMITTER

MOUNTING HOLES FOR 1/4" SCREWS ON ϕ 3.00 BOLT CIRCLE



CD42-T4 TRANSMITTER (SHOWN WITH OPTIONAL MOUNTING FLANGES)



- NOTES:
 1. DIMENSIONS ARE IN INCHES AND [MILLIMETERS].
 2. OPERATING PRESSURE: 2000 PSI (138 BAR) MAX.
 3. WEIGHT: 11 OZ (312 GRAMS) INCLUDING TWO N-CELL ALKALINE BATTERIES.

PROPRIETARY AND CONFIDENTIAL
 THE INFORMATION CONTAINED IN THIS DRAWING IS THE SOLE PROPERTY OF CDI. ANY REPRODUCTION IN PART OR AS A WHOLE WITHOUT THE WRITTEN PERMISSION OF CDI IS PROHIBITED.

UNLESS OTHERWISE SPECIFIED:	
DIMENSIONS ARE IN INCHES	
TOLERANCES:	
FRACTIONAL \pm 1/32	
ANGULAR: \pm 2°	
TWO PLACE DECIMAL \pm .03	
THREE PLACE DECIMAL \pm .010	
INTERPRET GEOMETRIC TOLERANCING PER:	
ASME Y14.5M - 1994	
MATERIAL	
FINISH	
APPLICATION	DO NOT SCALE DRAWING

	NAME	DATE
DRAWN	DS	4/16/2008
CHECKED		
ENG APPR.		
MFG APPR.		
Q.A.		
COMMENTS:		



TITLE: GENERAL ARRANGEMENT, CD42-T4 TRANSMITTER		
SIZE	DWG. NO.	REV
B	88-01-0001-GA	A
SCALE: 2/1	WEIGHT:	SHEET 1 OF 1