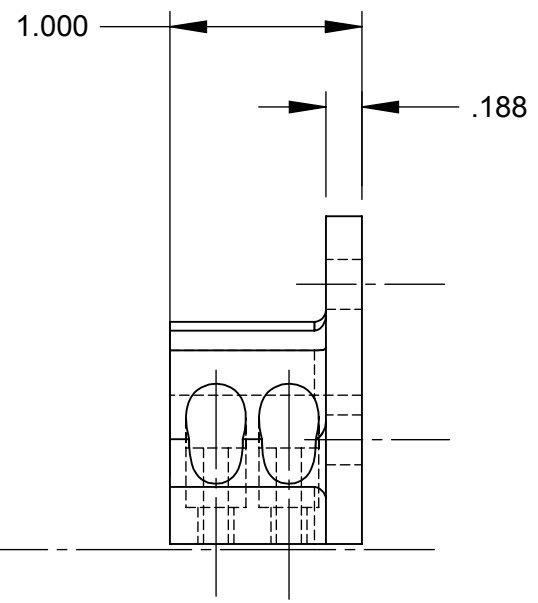
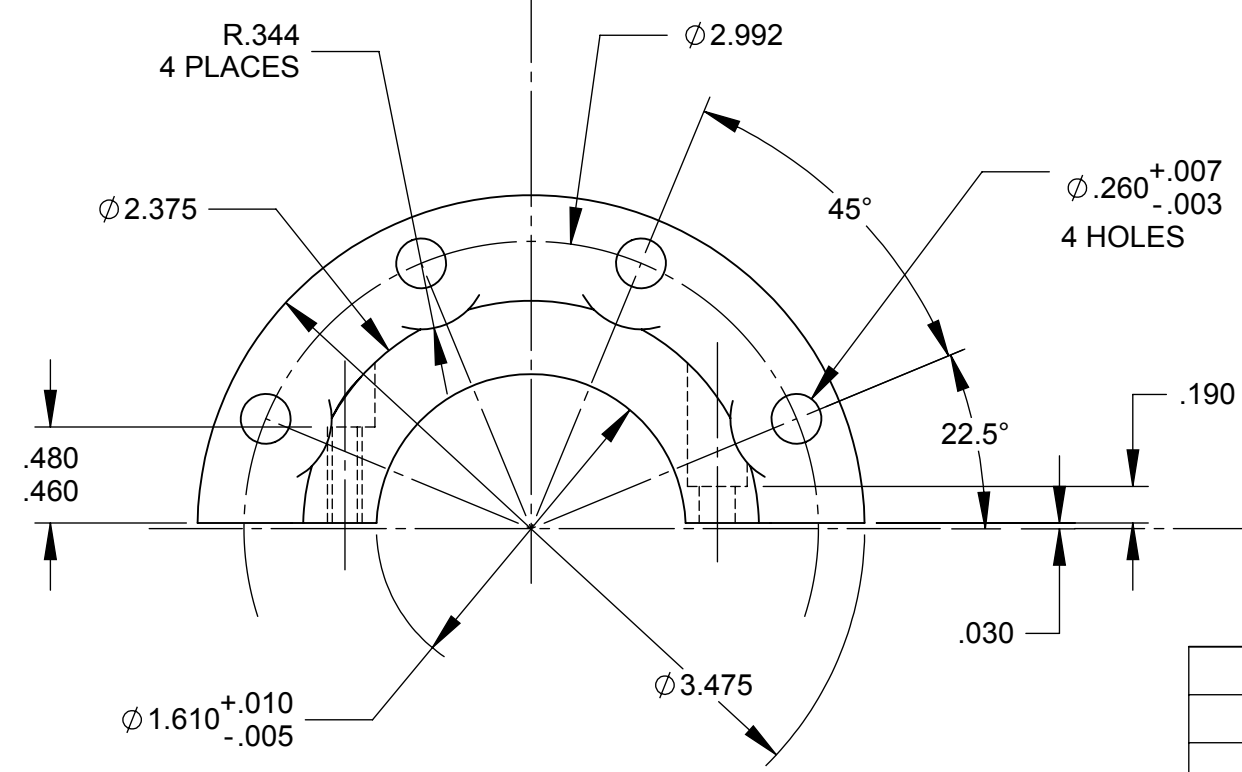
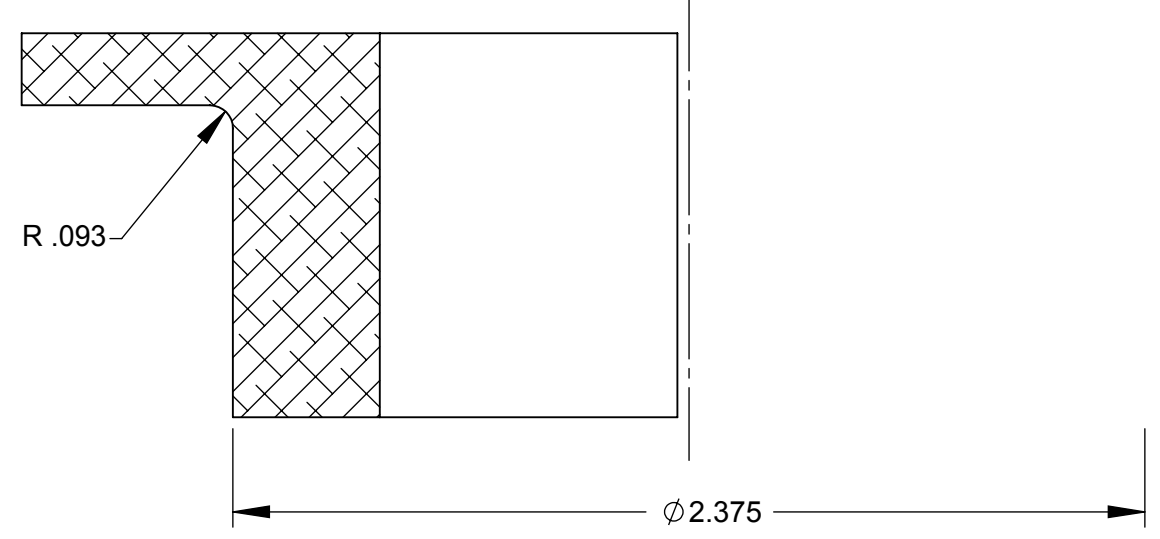
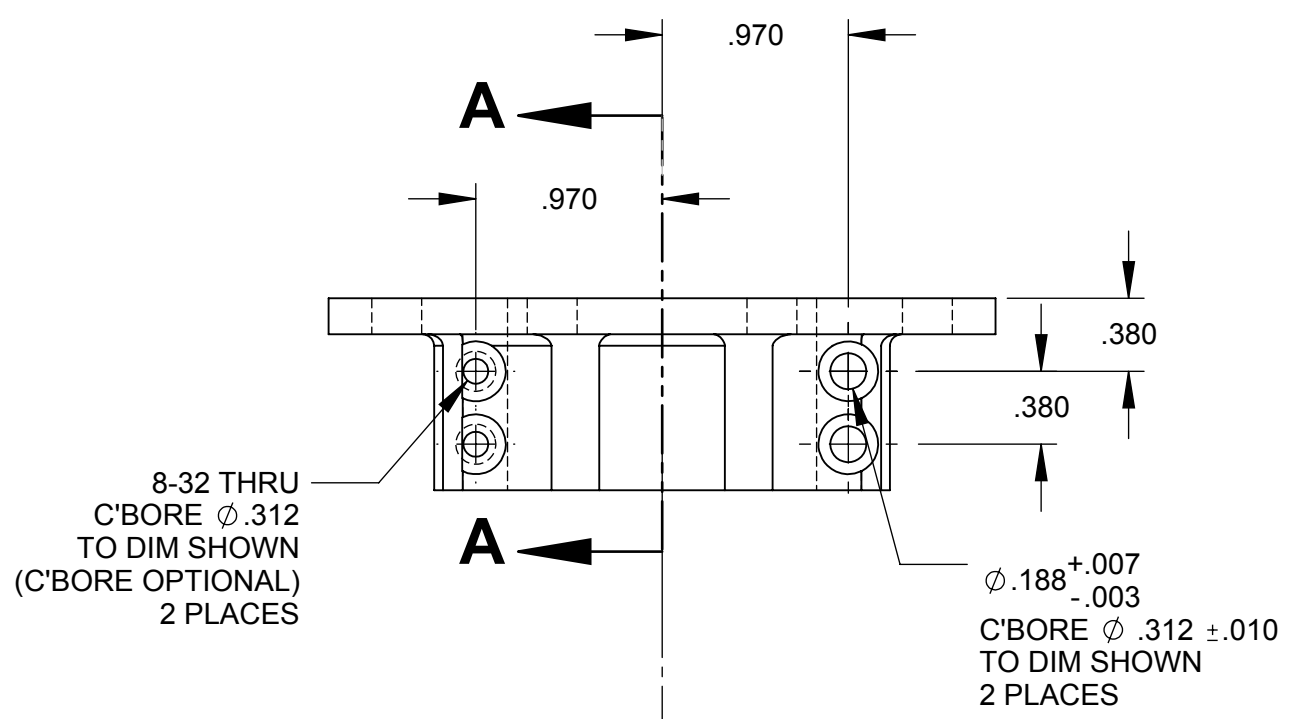



REVISIONS			
REV.	DESCRIPTION	DATE	APPROVED
A	REDRAWN ON 'B' SIZE FORMAT	6/20/2000	F. WHITE
B	1.595 ±.005 WAS 1.625 ±.015; ADDED C'BORE (OPTIONAL) & .500 DIM	10/20/2000	F. WHITE
C	3.475 WAS 3.500	11/17/2000	F. WHITE
D	ADDED R.344 4 PLACES	6/29/2006	DS
E	R.093 WAS R.06	8/25/2006	DS
F	ADDED MATERIAL INFORMATION TO NOTE 1	7/17/2007	DS
H	1.610 +.010/-.005 WAS 1.595 ±.005	10/9/2009	DS



NOTES:  
 1. MATERIAL: CDI #86-12-0037-00 - 3-1/2" DIAMETER ROD, ALUMINUM ALLOY 6061-T6. **F**  
 2. SURFACE FINISH: 250 ALL OVER.  
 3. REMOVE ALL BURRS AND SHARP EDGES.

**PROPRIETARY AND CONFIDENTIAL**  
 THE INFORMATION CONTAINED IN THIS DRAWING IS THE SOLE PROPERTY OF CDI. ANY REPRODUCTION IN PART OR AS A WHOLE WITHOUT THE WRITTEN PERMISSION OF CDI IS PROHIBITED.

UNLESS OTHERWISE SPECIFIED:		NAME	DATE	
DIMENSIONS ARE IN INCHES		DRAWN	FW	
TOLERANCES:		CHECKED		
FRACTIONAL ± 1/32		ENG APPR.		
ANGULAR: ± 2°		MFG APPR.		TITLE:
TWO PLACE DECIMAL ± .03		Q.A.		<b>FLANGE, CD42-T0</b>
THREE PLACE DECIMAL ± .010		COMMENTS:		SIZE
INTERPRET GEOMETRIC TOLERANCING PER: ASME Y14.5M - 1994				DWG. NO.
MATERIAL SEE NOTE 1				<b>B 921-90-0002-01</b>
FINISH				REV
NEXT ASSY	USED ON			<b>H</b>
APPLICATION				SCALE:
DO NOT SCALE DRAWING				WEIGHT: 0.143
				SHEET 1 OF 1