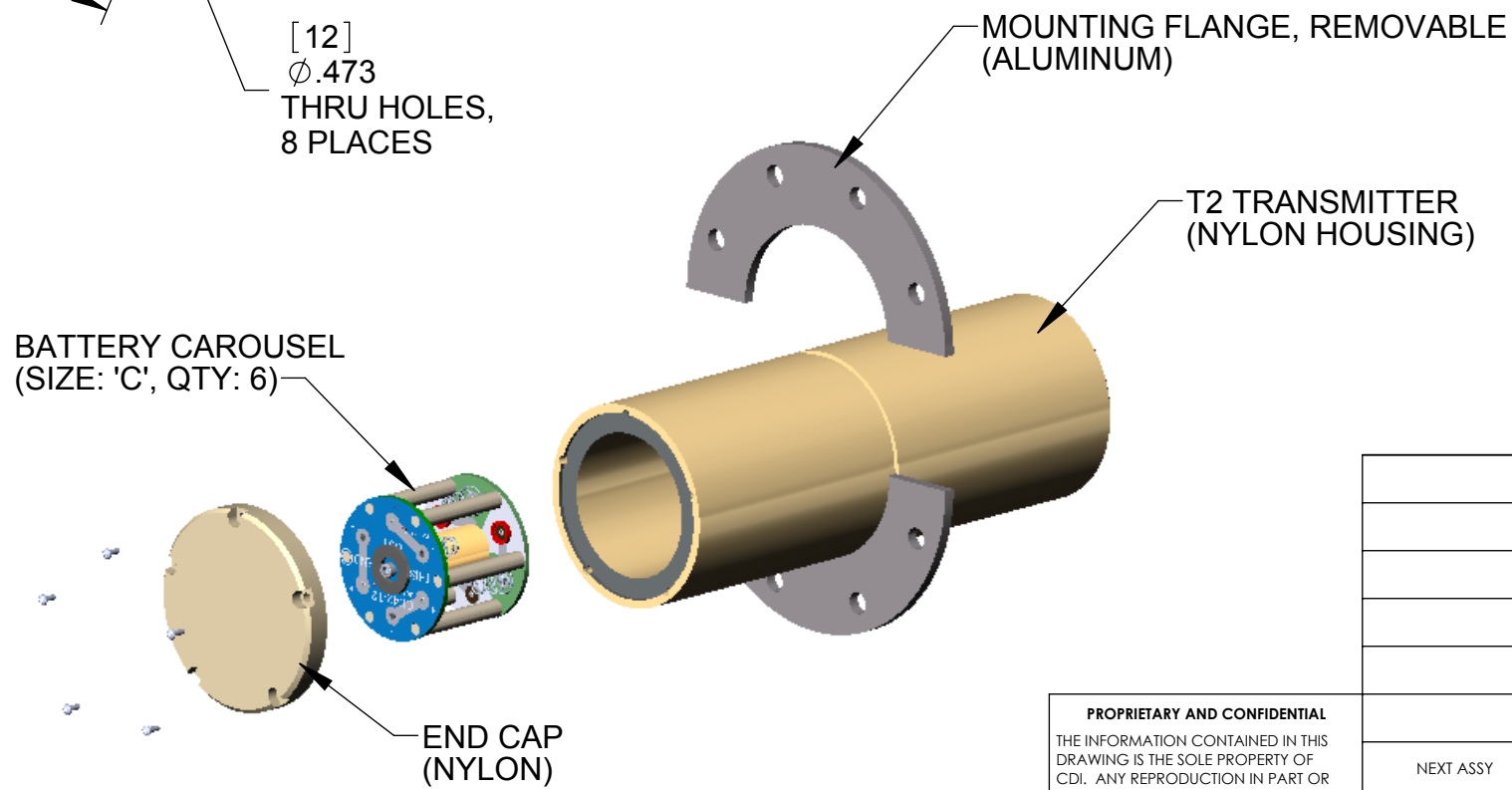
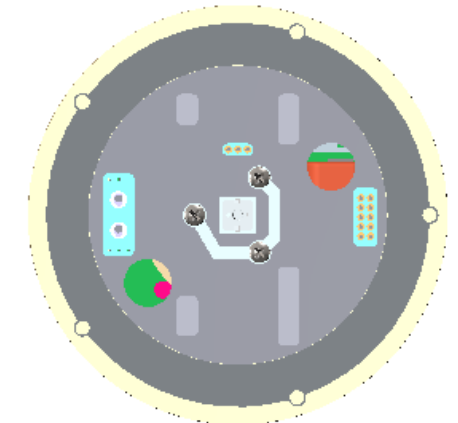
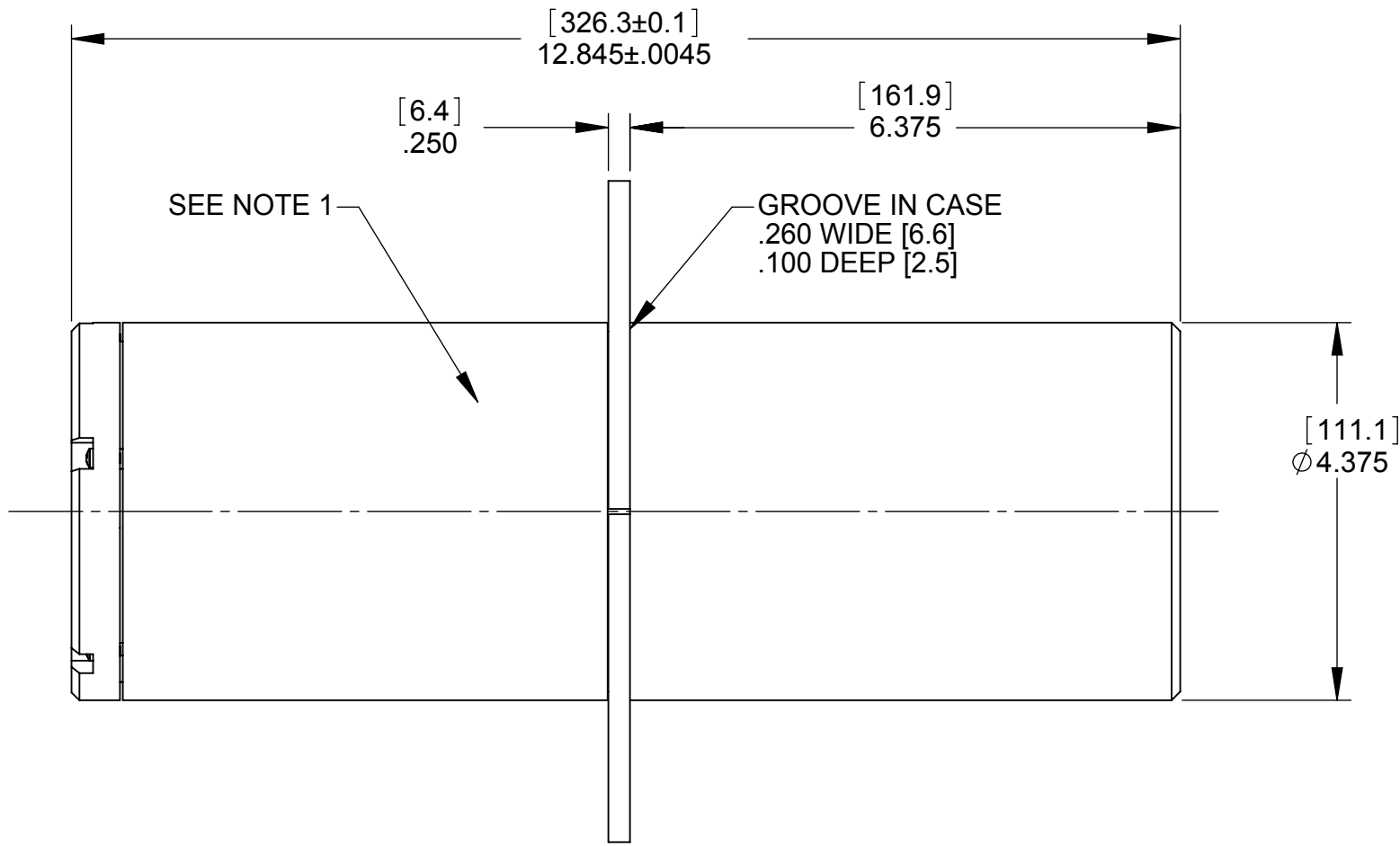
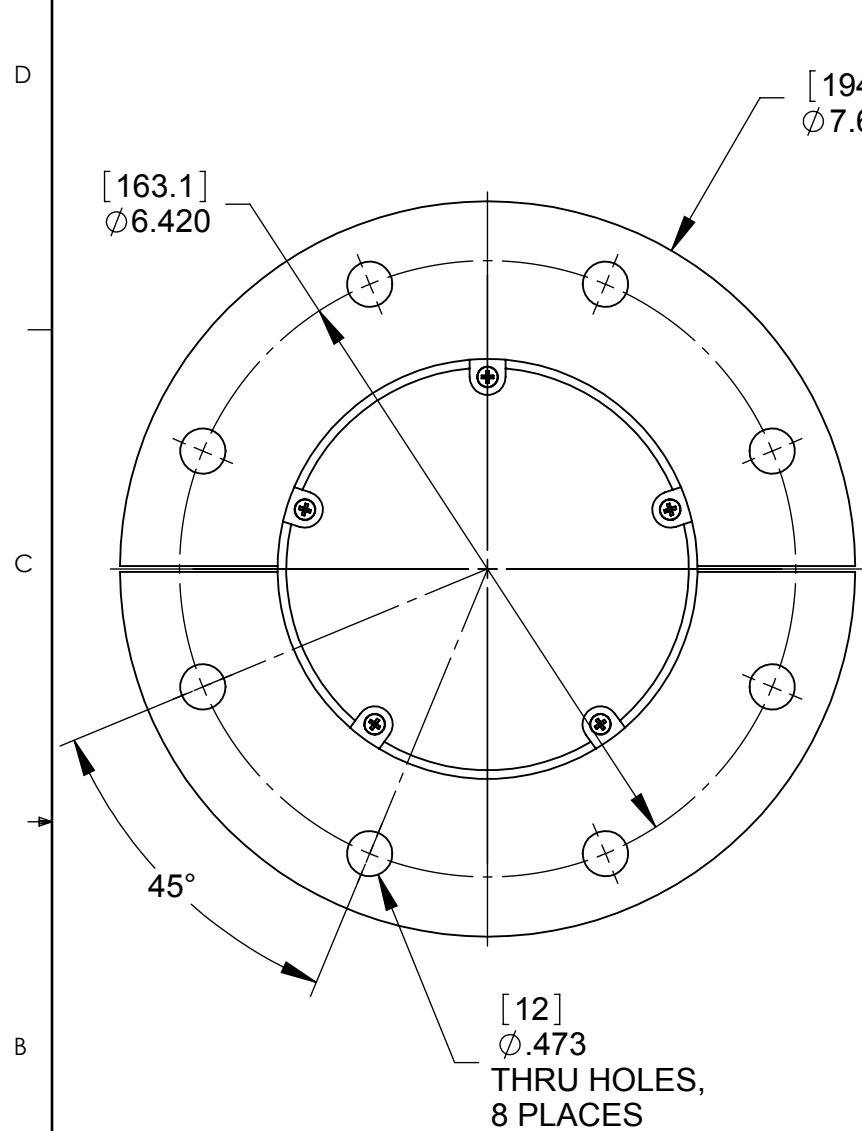


REV.	DESCRIPTION	DATE	APPROVED
A	RELEASE REVISION	8/14/2003	FW
B	ADDED VIEW OF ELECTRONICS	7/19/2004	FW
C	REDRAWN; UPDATED TITLEBLOCK	9/23/2008	DS



- NOTES:
1. THIS END OF TRANSMITTER IS TO BE MOUNTED INSIDE OF METAL PIGS.
 2. ALL DIMENSIONS ARE IN INCHES [MILLIMETERS].
 3. OPERATING PRESSURE 2500 PSI (172 BAR) MAX.
 4. PART NUMBER 81-03-0013-04: TRANSMITTER ASSEMBLY SWITCHABLE.
PART NUMBER 81-03-0013-05: TRANSMITTER ASSEMBLY PROGRAMMABLE.

PROPRIETARY AND CONFIDENTIAL
THE INFORMATION CONTAINED IN THIS DRAWING IS THE SOLE PROPERTY OF CDI. ANY REPRODUCTION IN PART OR AS A WHOLE WITHOUT THE WRITTEN PERMISSION OF CDI IS PROHIBITED.

UNLESS OTHERWISE SPECIFIED:		NAME	DATE
DIMENSIONS ARE IN INCHES		DRAWN	FW 4/10/2000
TOLERANCES:		CHECKED	
FRACTIONAL $\pm 1/32$		ENG APPR.	
ANGULAR: $\pm 2^\circ$		MFG APPR.	
TWO PLACE DECIMAL $\pm .03$		Q.A.	
THREE PLACE DECIMAL $\pm .010$		COMMENTS:	
INTERPRET GEOMETRIC TOLERANCING PER: ASME Y14.5M - 1994			
MATERIAL			
FINISH			
NEXT ASSY	USED ON		
APPLICATION		DO NOT SCALE DRAWING	

TITLE: GENERAL ARRANGEMENT, CD42-T2B TRANSMITTER		
SIZE	DWG. NO.	REV
B	81-03-0013-00E	C
SCALE:	WEIGHT:	SHEET 1 OF 1

U:\Models\CD42\CD42-T2-Trans\ 81-03-0013-00E - GENERAL ARRANGEMENT, CD42-T2B TRANSMITTER