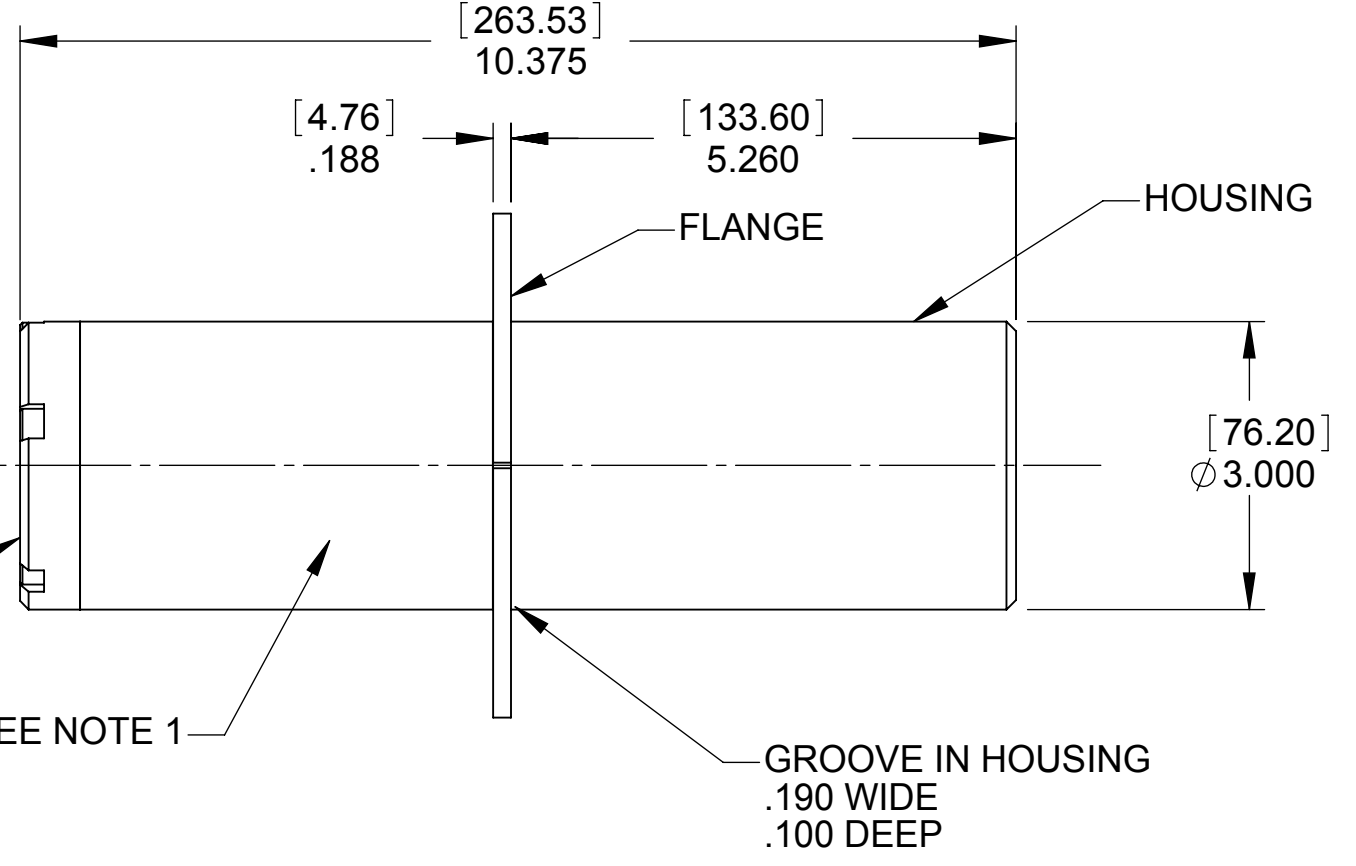
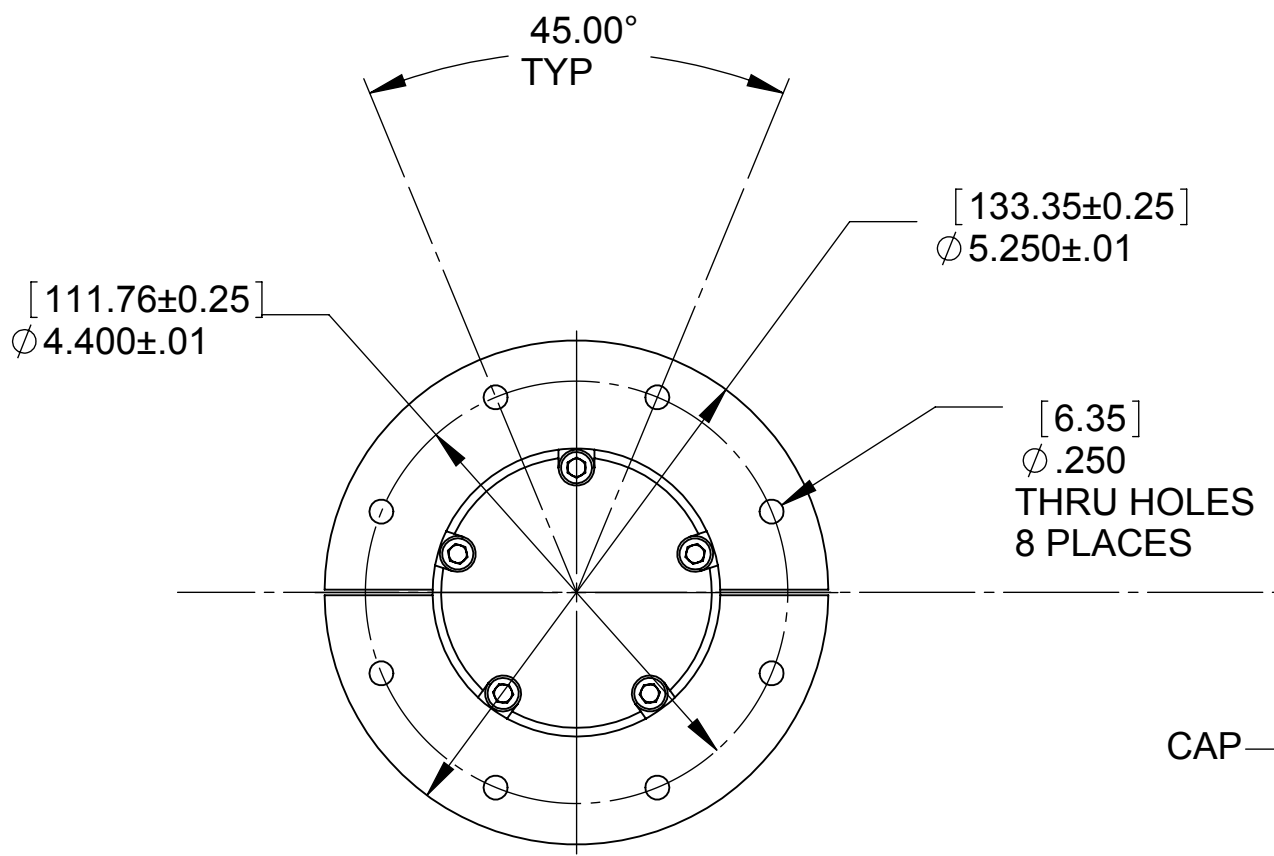


REVISIONS			
REV.	DESCRIPTION	DATE	APPROVED
A	RELEASE REVISION	6/27/2003	FW
B	UPDATED TITLEBLOCK; MOUNTING FLANGE SHOWED REMOVABLE; ADDED NOTE 4	9/2/2008	DS



MOUNTING FLANGE, REMOVABLE (ALUMINUM)


T1 TRANSMITER (NYLON HOUSING)

TO CHANGE BATTERIES OR PULSE PATTERN REMOVE NYLON CAP

- NOTES:
1. THIS END OF TRANSMITTER IS TO BE MOUNTED INSIDE OF METAL PIGS.
 2. DIMENSIONS ARE IN INCHES AND (MILLIMETERS).
 3. OPERATING PRESSURE 2500 PSI (172 BAR) MAX.
 4. TEMPERATURE RANGES:
 ALKALINE BATTERIES: -4 °F TO 130 °F (-20C TO 54C)
 LITHIUM BATTERIES: -40 °F TO 158 °F (-40C TO 70C)
 ELECTRONICS: -40 °F TO 185 °F (-40C TO 85C)

PROPRIETARY AND CONFIDENTIAL
 THE INFORMATION CONTAINED IN THIS DRAWING IS THE SOLE PROPERTY OF CDI. ANY REPRODUCTION IN PART OR AS A WHOLE WITHOUT THE WRITTEN PERMISSION OF CDI IS PROHIBITED.

UNLESS OTHERWISE SPECIFIED:		NAME	DATE
DIMENSIONS ARE IN INCHES		DRAWN	FW 4/8/1999
TOLERANCES:		CHECKED	
FRACTIONAL ± 1/32		ENG APPR.	
ANGULAR: ± 2°		MFG APPR.	
TWO PLACE DECIMAL ± .03		Q.A.	
THREE PLACE DECIMAL ± .010		COMMENTS:	
INTERPRET GEOMETRIC TOLERANCING PER: ASME Y14.5M - 1994			
MATERIAL			
FINISH			
NEXT ASSY	USED ON		
APPLICATION			
DO NOT SCALE DRAWING			



TITLE:
GENERAL ARRANGEMENT, CD42-T1 TRANSMITTER

SIZE	DWG. NO.	REV
B	81-03-0002-00E	B
SCALE:	WEIGHT:	SHEET 1 OF 1

U:\Models\CD42\CD42-T1-Trans\CD42-T1 81-03-0002-00E - GENERAL ARRANGEMENT, CD42-T1 TRANSMITTER