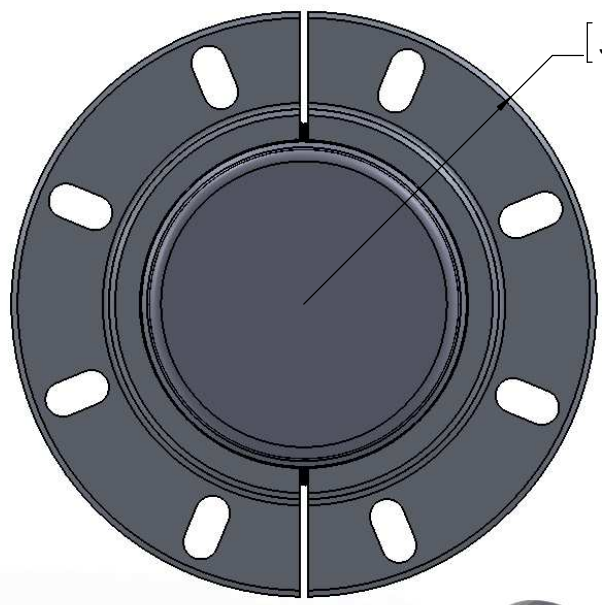
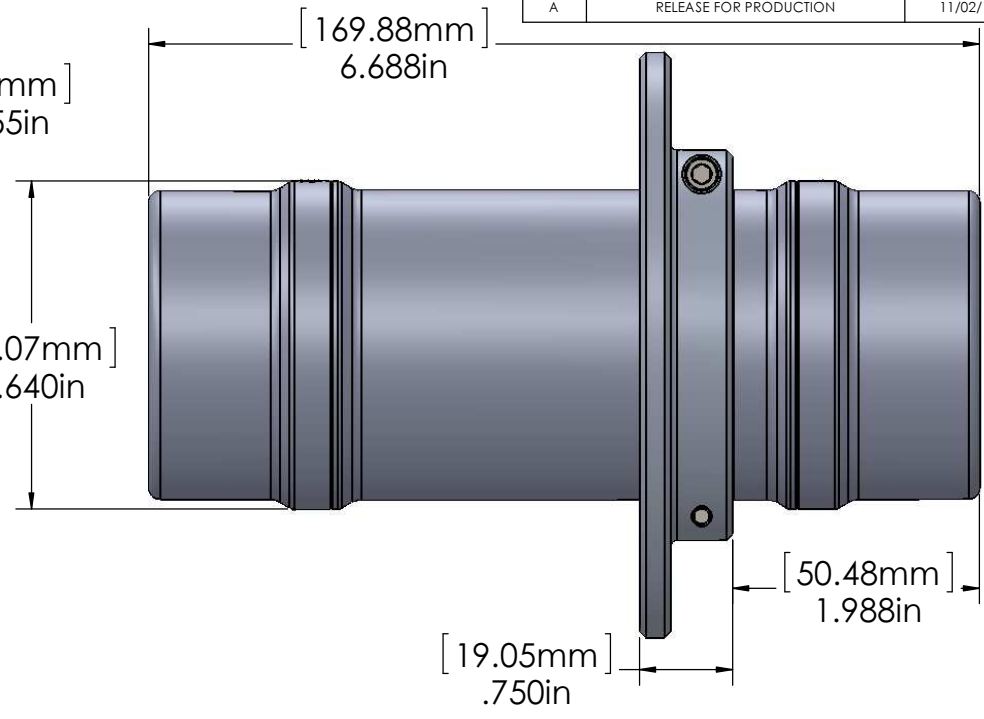


8 7 6 5 4 3 2 1

REV.	DESCRIPTION	DATE	APPROVED
A	RELEASE FOR PRODUCTION	11/02/14	KRW



[59.82mm]
R2.355in



[169.88mm]
6.688in

[67.07mm]
2.640in

[19.05mm]
.750in

[50.48mm]
1.988in

D

C

B

A

D

C

B


A



8 7 6 5 4 3 2 1

PROPRIETARY AND CONFIDENTIAL
THE INFORMATION CONTAINED IN THIS DRAWING IS THE SOLE PROPERTY OF CDI. ANY REPRODUCTION IN PART OR AS A WHOLE WITHOUT THE WRITTEN PERMISSION OF CDI IS PROHIBITED.

		UNLESS OTHERWISE SPECIFIED: DIMENSIONS ARE IN INCHES TOLERANCES: FRACTIONAL ± 1/32 ANGULAR: ± 2° TWO PLACE DECIMAL ± .03 THREE PLACE DECIMAL ± .010	NAME	DATE
		INTERPRET GEOMETRIC TOLERANCING PER: ASME Y14.5M - 1994	DRAWN	KRW
		MATERIAL	CHECKED	
		304L	ENG APPR.	
		FINISH	MFG APPR.	
		125 RMS	Q.A.	
NEXT ASSY	USED ON		COMMENTS:	
APPLICATION		DO NOT SCALE DRAWING	ECN #:	

CDI 

TITLE:
**GENERAL ASSEMBLY
X400-2D ATEX**

SIZE	DWG. NO.	REV
B	81-03-0091-00GA	A

SCALE: 1:2 WEIGHT: SHEET 1 OF 1

V:\X400\Mechanical Models\2D ATEX\ 81-03-0091-00GA X400-2D ATEX WITH FLANGE