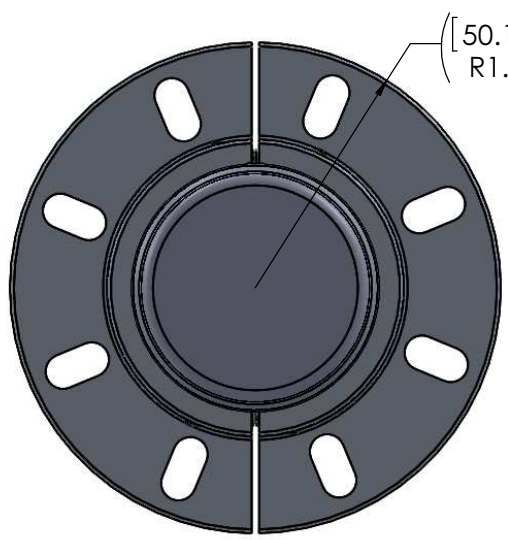
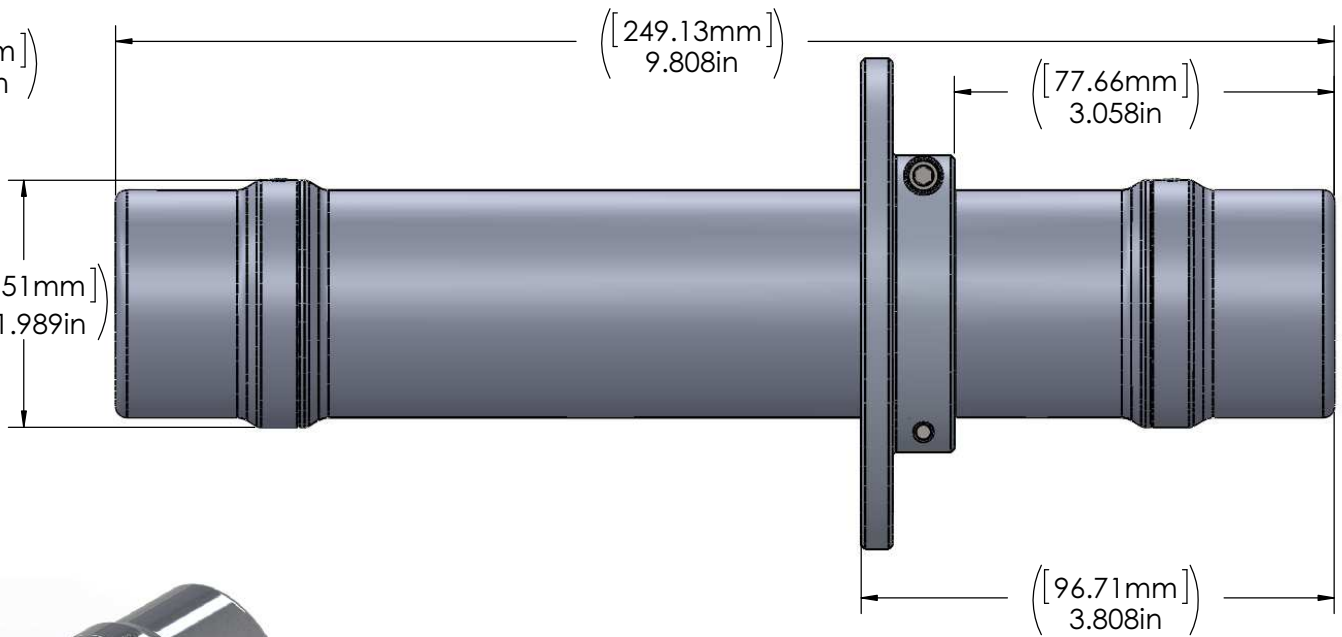


8 7 6 5 4 3 2 1

REV.	DESCRIPTION	DATE	APPROVED
A	RELEASE FOR PRODUCTION	11/20/2014	KRW



$([50.17\text{mm}])$
R1.975in



$([249.13\text{mm}])$
9.808in

$([77.66\text{mm}])$
3.058in

$([96.71\text{mm}])$
3.808in

$([50.51\text{mm}])$
 $\varnothing 1.989\text{in}$



D
C
B
A

D
C
B
A

V:\X300\Mechanical Models\X300-4C ATEX 81-03-0090-00GA X300-4C ATEX WITH FLANGE

PROPRIETARY AND CONFIDENTIAL
THE INFORMATION CONTAINED IN THIS DRAWING IS THE SOLE PROPERTY OF CDI. ANY REPRODUCTION IN PART OR AS A WHOLE WITHOUT THE WRITTEN PERMISSION OF CDI IS PROHIBITED.

		UNLESS OTHERWISE SPECIFIED: DIMENSIONS ARE IN INCHES TOLERANCES: FRACTIONAL $\pm 1/32$ ANGULAR: $\pm 2^\circ$ TWO PLACE DECIMAL $\pm .03$ THREE PLACE DECIMAL $\pm .010$	NAME	DATE
		INTERPRET GEOMETRIC TOLERANCING PER: ASME Y14.5M - 1994	KRW	11/20/2014
		MATERIAL	CHECKED	
		304L	ENG APPR.	
		FINISH	MFG APPR.	
		125RMS MIN	Q.A.	
NEXT ASSY	USED ON		COMMENTS:	
		APPLICATION		
		DO NOT SCALE DRAWING	ECN #:	

CDI

TITLE:
**GENERAL ASSEMBLY
X400-4C ATEX**

SIZE	DWG. NO.	REV
B	81-03-0090-00GA	A

SCALE: 1:2 | WEIGHT: | SHEET 1 OF 1

8 7 6 5 4 3 2 1