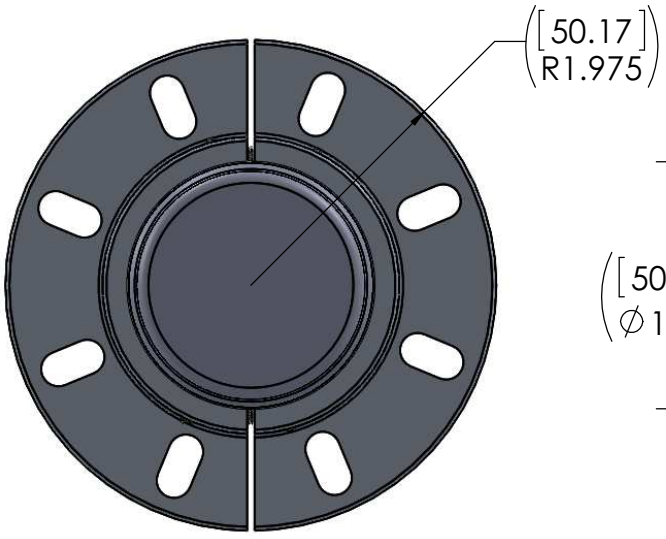
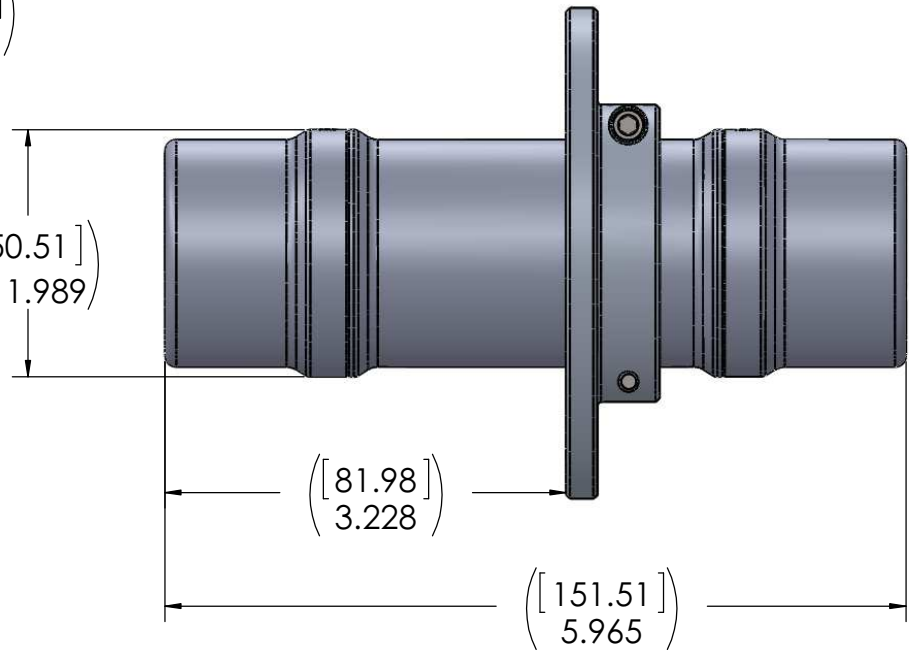


8 7 6 5 4 3 2 1

REV.	DESCRIPTION	DATE	APPROVED
A	RELEASE TO PRODUCTION	10/19/2014	KRW



([50.51]  
Ø 1.989)



D  
C  
B  
A

D  
C  
B  
A

8 7 6 5 4 3 2 1

**PROPRIETARY AND CONFIDENTIAL**  
THE INFORMATION CONTAINED IN THIS DRAWING IS THE SOLE PROPERTY OF CDI. ANY REPRODUCTION IN PART OR AS A WHOLE WITHOUT THE WRITTEN PERMISSION OF CDI IS PROHIBITED.

		UNLESS OTHERWISE SPECIFIED: DIMENSIONS ARE IN INCHES TOLERANCES: FRACTIONAL ± 1/32 ANGULAR: ± 2° TWO PLACE DECIMAL ± .03 THREE PLACE DECIMAL ± .010	NAME	DATE
		INTERPRET GEOMETRIC TOLERANCING PER: ASME Y14.5M - 1994	KRW	10/12/2014
		MATERIAL		
		FINISH		
NEXT ASSY	USED ON	125 RMS		
	APPLICATION	DO NOT SCALE DRAWING	COMMENTS:	
			ECN #:	

**CDI**

TITLE:  
**X300-2C ATEX GENERAL ASSY**

SIZE	DWG. NO.	REV
<b>B</b>	<b>81-03-0089-00GA</b>	<b>A</b>

SCALE: 1:2 | WEIGHT: | SHEET 1 OF 1