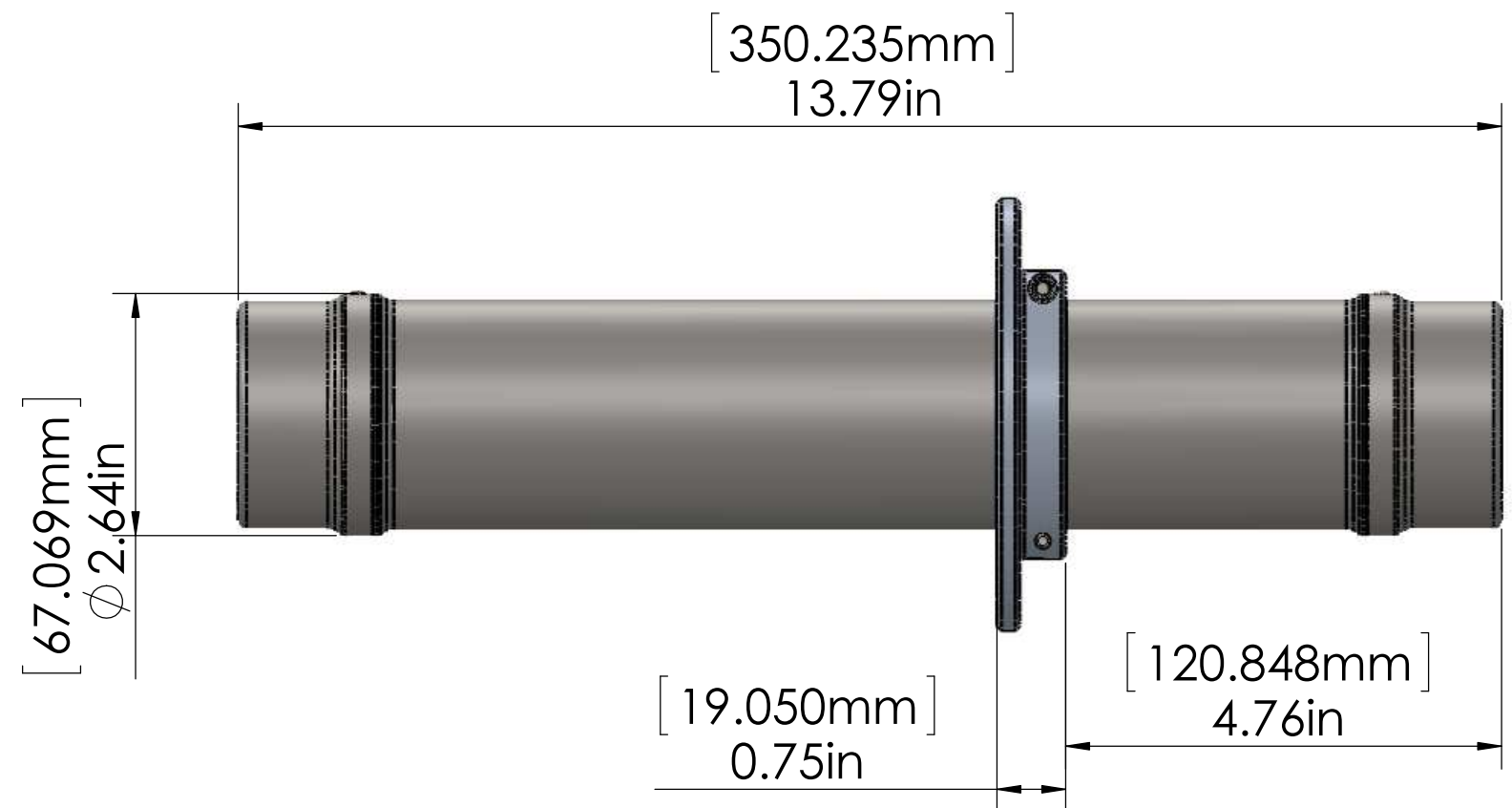
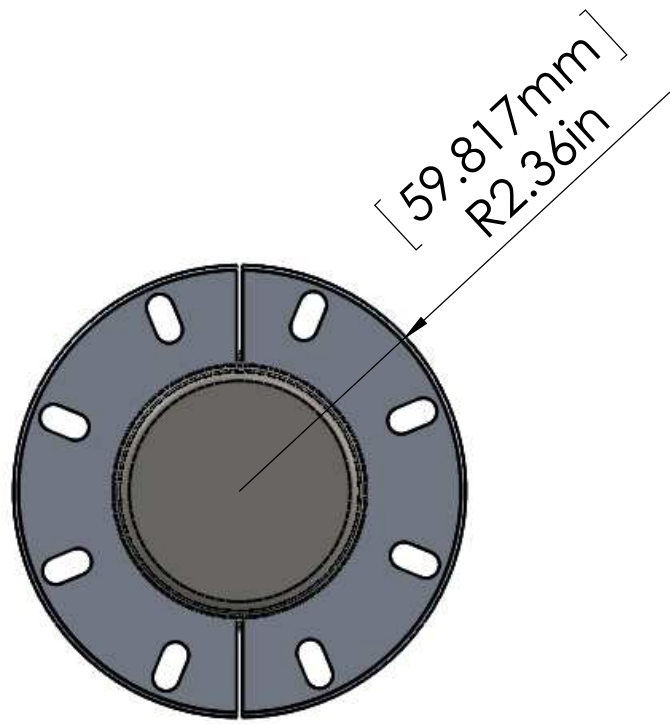



| REV. | DESCRIPTION | DATE | APPROVED |
|------|-----------------------|------------|----------|
| A | RELEASE TO PRODUCTION | 12/03/2014 | KRW |



PROPRIETARY AND CONFIDENTIAL
 THE INFORMATION CONTAINED IN THIS DRAWING IS THE SOLE PROPERTY OF CDI. ANY REPRODUCTION IN PART OR AS A WHOLE WITHOUT THE WRITTEN PERMISSION OF CDI IS PROHIBITED.

| UNLESS OTHERWISE SPECIFIED: | | NAME | DATE |
|--|---------|--------------|------------|
| DIMENSIONS ARE IN INCHES TOLERANCES: FRACTIONAL ± 1/32 ANGULAR: ± 2° TWO PLACE DECIMAL ± .03 THREE PLACE DECIMAL ± .010 | | DRAWN KRW | 10/16/2014 |
| INTERPRET GEOMETRIC TOLERANCING PER: ASME Y14.5M - 1994 | | CHECKED | |
| MATERIAL | | ENG APPR. | |
| FINISH | | MFG APPR. | |
| NEXT ASSY | USED ON | Q.A. | |
| APPLICATION | | COMMENTS: | |
| DO NOT SCALE DRAWING | | ECN #: | |

CDI 

TITLE:
**GENERAL ASSEMBLY
X400-5D ATEX**

| | | |
|------------------|------------------------------------|-----------------|
| SIZE B | DWG. NO. 81-03-0085-00GA | REV A |
|------------------|------------------------------------|-----------------|

SCALE: 1:4 WEIGHT: SHEET 1 OF 1

V:\X400\Mechanical Models\5D ATEX\ 81-03-0085-00, GENERAL ASSEMBLY X400-5D ATEX WITH FLANGE