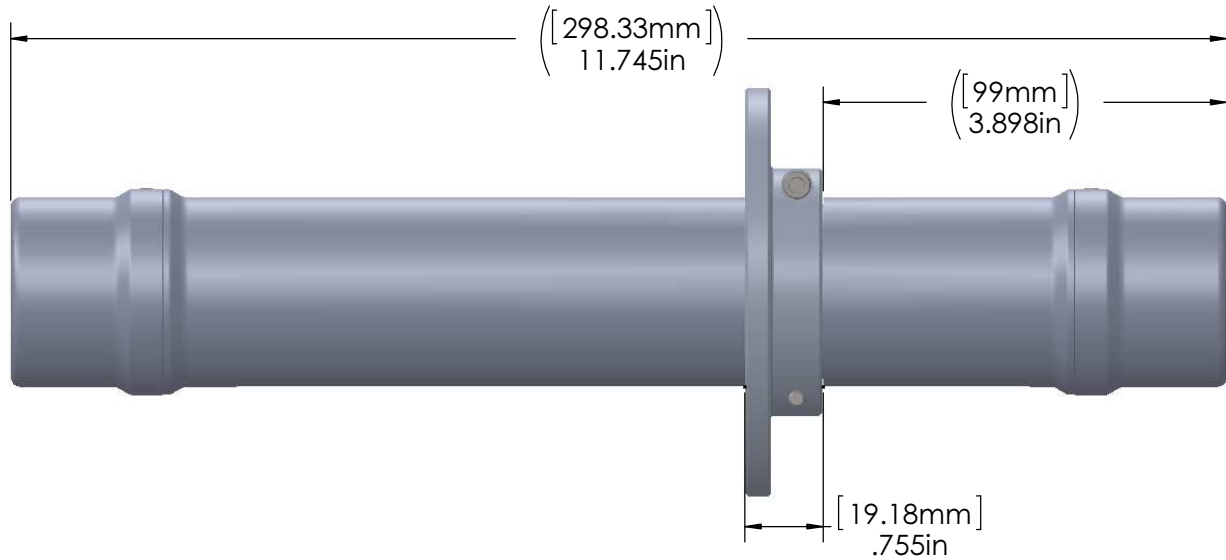
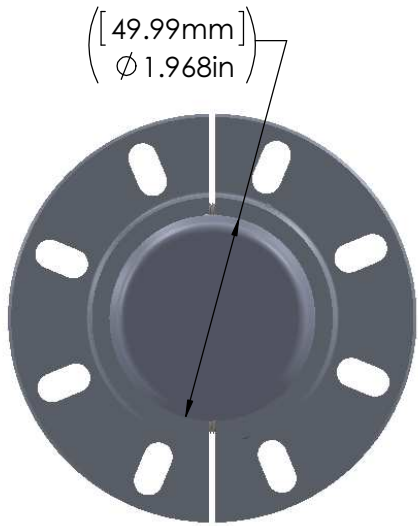



REV.	DESCRIPTION	DATE	APPROVED
A	RELEASE FOR PRODUCTION	10/24/2014	KRW



PROPRIETARY AND CONFIDENTIAL
 THE INFORMATION CONTAINED IN THIS DRAWING IS THE SOLE PROPERTY OF CDI. ANY REPRODUCTION IN PART OR AS A WHOLE WITHOUT THE WRITTEN PERMISSION OF CDI IS PROHIBITED.

		UNLESS OTHERWISE SPECIFIED: DIMENSIONS ARE IN INCHES TOLERANCES: FRACTIONAL ± 1/32 ANGULAR: ± 2° TWO PLACE DECIMAL ± .03 THREE PLACE DECIMAL ± .010	NAME	DATE
		INTERPRET GEOMETRIC TOLERANCING PER: ASME Y14.5M - 1994	KRW	10/22/2024
		MATERIAL		
		304L		
		FINISH		
		125RMS MIN		
		DO NOT SCALE DRAWING		
		ECN #:		

CDI 

TITLE:
**GENERAL ASSEMBLY
X300-5C ATEX**

SIZE	DWG. NO.	REV
B	81-03-0083-00GA	A

SCALE: 1:2 | WEIGHT: | SHEET 1 OF 1

V:\X300\Mechanical Models\X300-5C ATEX\ 81-03-0083-01GA X300-5C ATEX WITH FLANGE