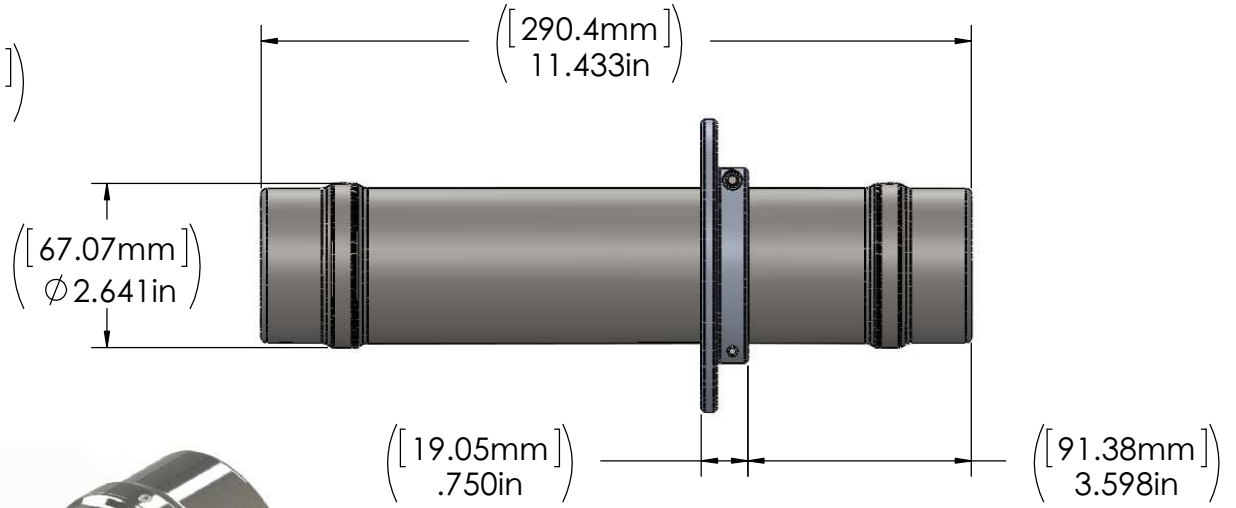
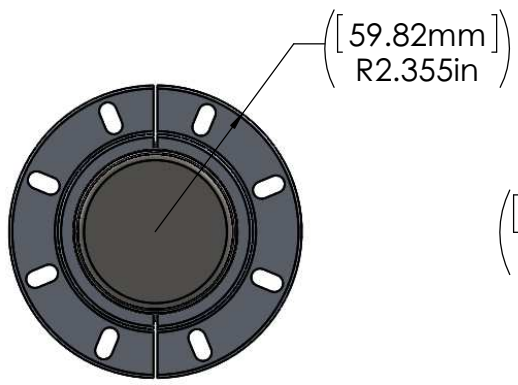


8 7 6 5 4 3 2 1

REV.	DESCRIPTION	DATE	APPROVED
A	RELEASE FOR PRODUCTION	2/17/2015	KRW



V:1X400Mechanical Models4D ATEX 81-03-0076-00 GENERAL ASSEMBLY X400-4D ATEX WITH FLANGE


D
C
B
A

C
B
A

8 7 6 5 4 3 2 1

PROPRIETARY AND CONFIDENTIAL
THE INFORMATION CONTAINED IN THIS DRAWING IS THE SOLE PROPERTY OF CDI. ANY REPRODUCTION IN PART OR AS A WHOLE WITHOUT THE WRITTEN PERMISSION OF CDI IS PROHIBITED.

		UNLESS OTHERWISE SPECIFIED: DIMENSIONS ARE IN INCHES TOLERANCES: FRACTIONAL ± 1/32 ANGULAR: ± 2° TWO PLACE DECIMAL ± .03 THREE PLACE DECIMAL ± .010		NAME	DATE
		INTERPRET GEOMETRIC TOLERANCING PER: ASME Y14.5M - 1994			
		MATERIAL			
		FINISH			
NEXT ASSY	USED ON	304L			
		125 RMS MIN			
	APPLICATION	DO NOT SCALE DRAWING			

CDI 

TITLE:
GENERAL ASSEMBLY X400-4D ATEX

SIZE	DWG. NO.	REV
B	81-03-0076-00GA	A

SCALE: 1:4 WEIGHT: SHEET 1 OF 1