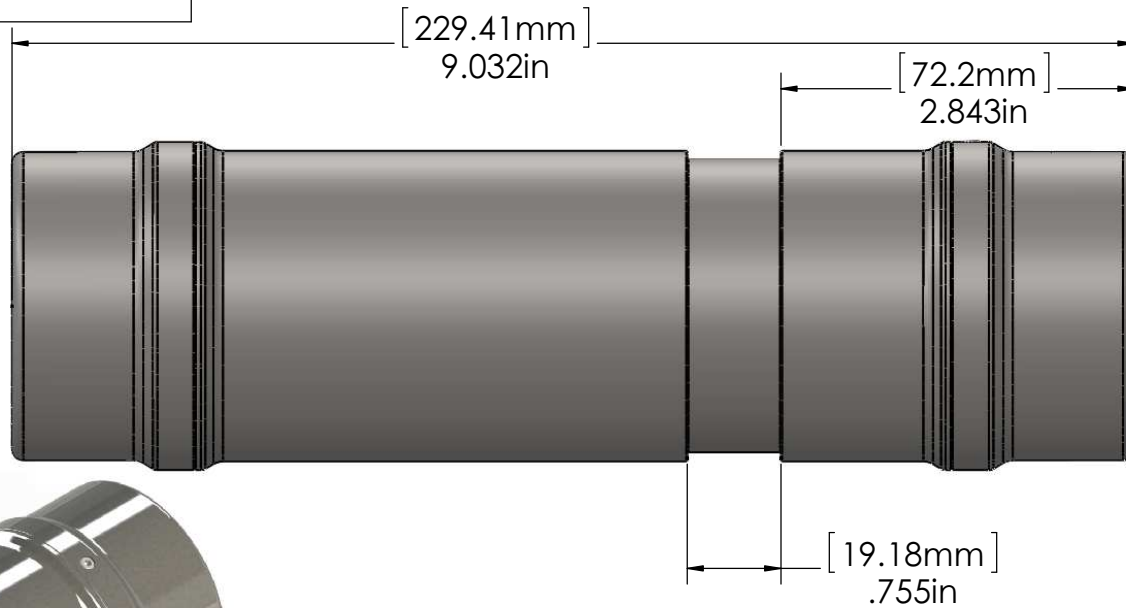
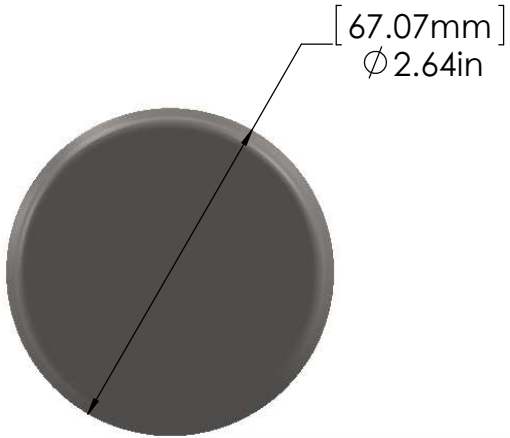



REV.	DESCRIPTION	DATE	APPROVED
A	RELEASE TO PRODUCTION	2/13/2015	KRW



PROPRIETARY AND CONFIDENTIAL
 THE INFORMATION CONTAINED IN THIS DRAWING IS THE SOLE PROPERTY OF CDI. ANY REPRODUCTION IN PART OR AS A WHOLE WITHOUT THE WRITTEN PERMISSION OF CDI IS PROHIBITED.

		UNLESS OTHERWISE SPECIFIED: DIMENSIONS ARE IN INCHES TOLERANCES: FRACTIONAL ± 1/32 ANGULAR: ± 2° TWO PLACE DECIMAL ± .03 THREE PLACE DECIMAL ± .010		NAME	DATE	
		DRAWN	KRW	11/4/2014		
		CHECKED				
		ENG APPR.				
		MFG APPR.				
		INTERPRET GEOMETRIC TOLERANCING PER: ASME Y14.5M - 1994		Q.A.		TITLE: X400-3D ATEX GENERAL ASSEMBLY
		MATERIAL		COMMENTS:		
		304L				
		FINISH				SIZE B DWG. NO. 81-03-0068-00GA REV A
		NEXT ASSY _____ USED ON _____ APPLICATION _____ DO NOT SCALE DRAWING _____	ECN #:		SCALE: 1:2	WEIGHT: _____ SHEET 1 OF 1

V:\X400\Mechanical Models\3D ATEX\ 81-03-0068-00GA X400-3D ATEX GENERAL ASSEMBLY