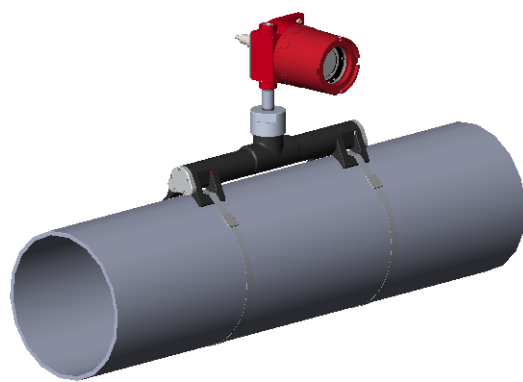
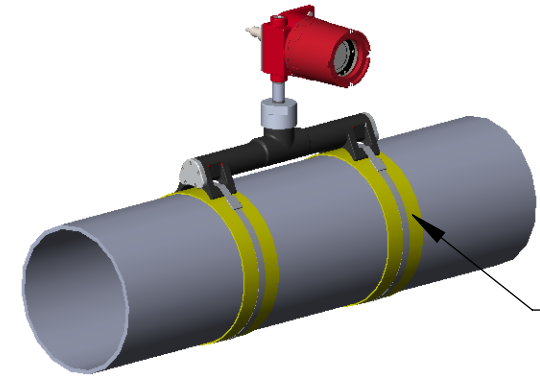


8 7 6 5 4 3 2 1

REVISIONS			
REV.	DESCRIPTION	DATE	APPROVED
A	RELEASED	2/7/2014	DS

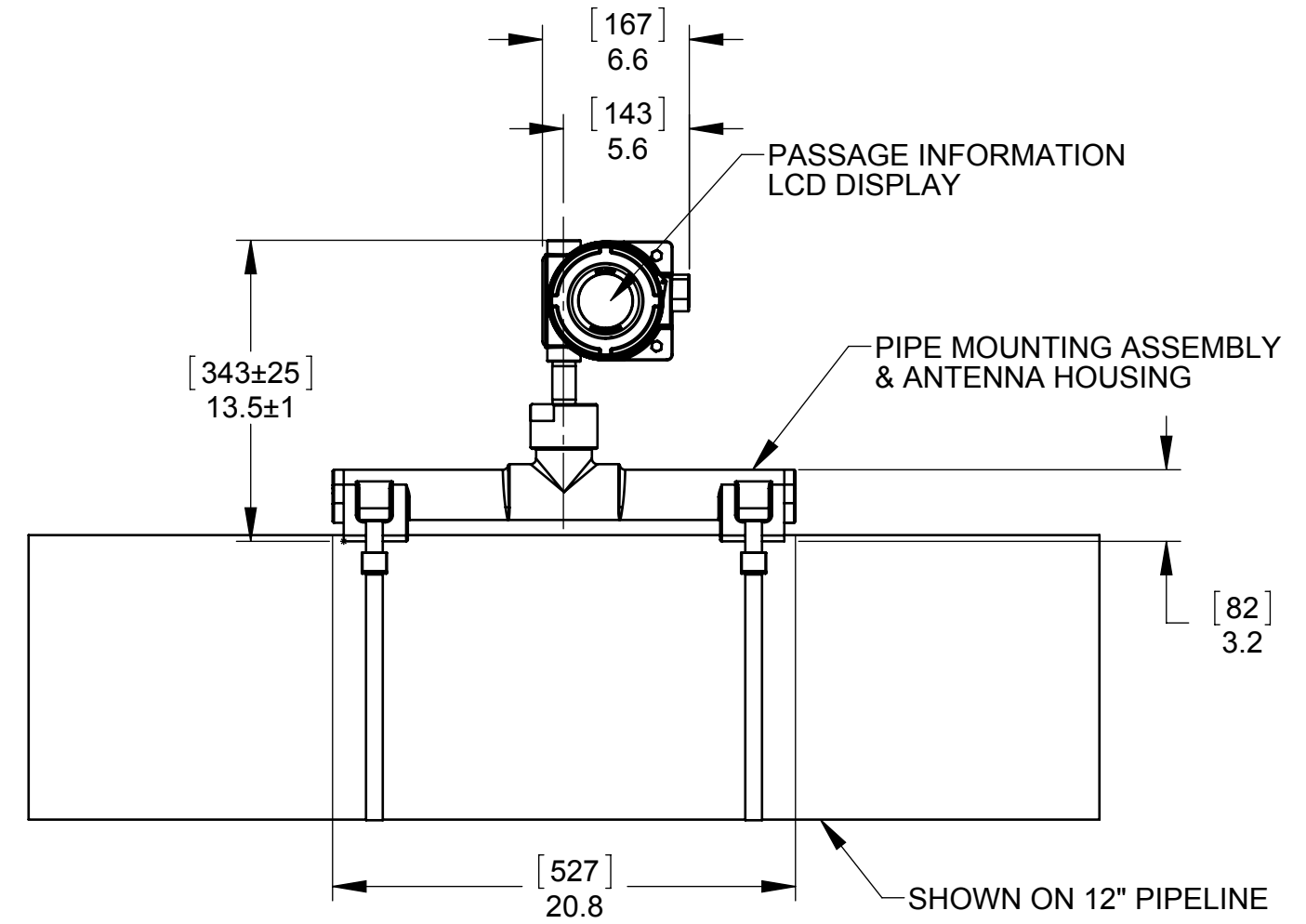
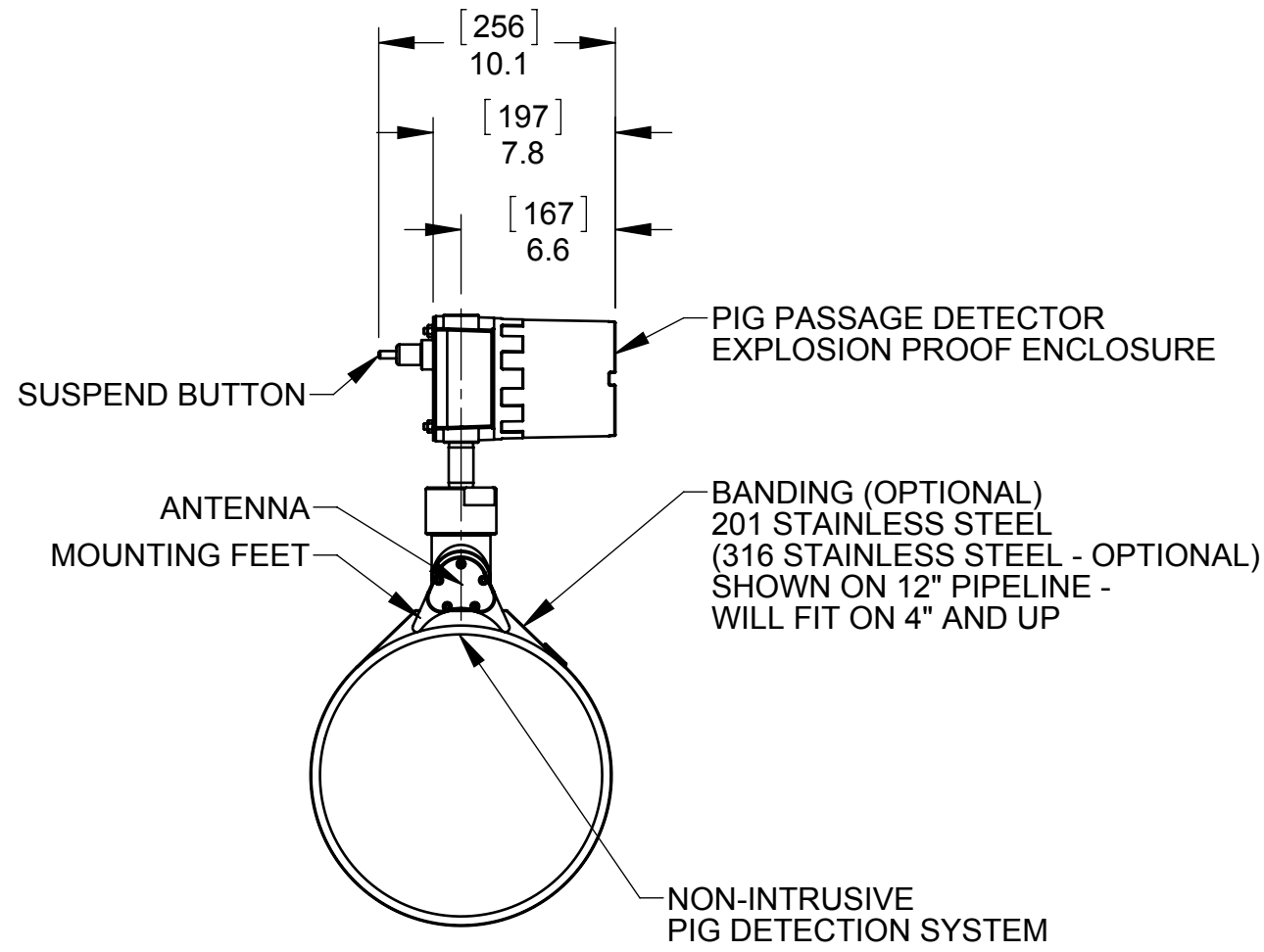


STANDARD BASE MOUNTING




CATHODIC PROTECTION BASE MOUNTING

NON-CONDUCTIVE ISOLATOR (OPTIONAL)



- NOTES:
1. DIMENSIONS ARE IN INCHES AND [MILLIMETERS].
 2. WEIGHT: 21 LBS [9.5 KG].
 3. USES BATTERY POWER ONLY.

PROPRIETARY AND CONFIDENTIAL
 THE INFORMATION CONTAINED IN THIS DRAWING IS THE SOLE PROPERTY OF CDI. ANY REPRODUCTION IN PART OR AS A WHOLE WITHOUT THE WRITTEN PERMISSION OF CDI IS PROHIBITED.

UNLESS OTHERWISE SPECIFIED:		NAME	DATE	 <p>TITLE: GENERAL ARRANGEMENT, CD52 PORTABLE ATEX BANDIT</p>		
DIMENSIONS ARE IN INCHES		DRAWN	DS			
TOLERANCES:		CHECKED				
FRACTIONAL ± 1/32		ENG APPR.				
ANGULAR: ± 2°		MFG APPR.				
TWO PLACE DECIMAL ± .03		Q.A.		SIZE	DWG. NO.	REV
THREE PLACE DECIMAL ± .010		COMMENTS:		B	81-05-0080-P0-0-000E	A
INTERPRET GEOMETRIC TOLERANCING PER: ASME Y14.5M - 1994				SCALE:	WEIGHT:	SHEET 1 OF 1
MATERIAL						
NEXT ASSY	USED ON					
FINISH						
APPLICATION		DO NOT SCALE DRAWING		ECN #:		

8 7 6 5 4 3 2 1