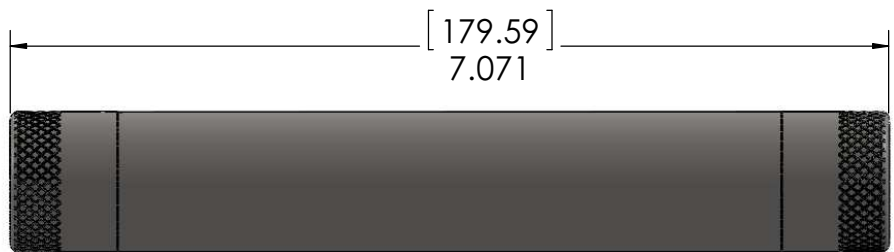
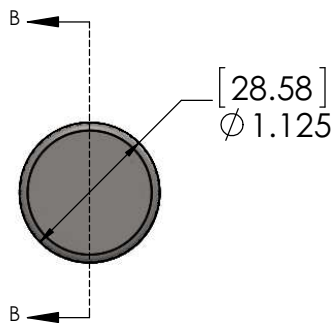



REV.	DESCRIPTION	DATE	APPROVED
1	RELEASE FOR PRODUCTION	4/22/2015	KRW



V:\X200\X200-3AA\ 81-03-0099-00 ASSEMBLY, X200-3AA

**PROPRIETARY AND CONFIDENTIAL**  
 THE INFORMATION CONTAINED IN THIS DRAWING IS THE SOLE PROPERTY OF CDI. ANY REPRODUCTION IN PART OR AS A WHOLE WITHOUT THE WRITTEN PERMISSION OF CDI IS PROHIBITED.

		UNLESS OTHERWISE SPECIFIED:		NAME	DATE	
		DIMENSIONS ARE IN INCHES		DRAWN		
		TOLERANCES:		CHECKED		
		FRACTIONAL $\pm$ 1/32		ENG APPR.		
		ANGULAR $\pm$ 2°		MFG APPR.		
		TWO PLACE DECIMAL $\pm$ .03		Q.A.		TITLE:
		THREE PLACE DECIMAL $\pm$ .010		COMMENTS:		<b>GENERAL ASSEMBLY, X200-3AA</b>
		INTERPRET GEOMETRIC TOLERANCING PER: ASME Y14.5M - 1994				SIZE
		MATERIAL				DWG. NO.
		FINISH				REV
NEXT ASSY	USED ON					<b>B</b>
						<b>81-03-0099-00</b>
						<b>1</b>
						SCALE: 1:1
						WEIGHT:
						SHEET 1 OF 1

8 7 6 5 4 3 2 1